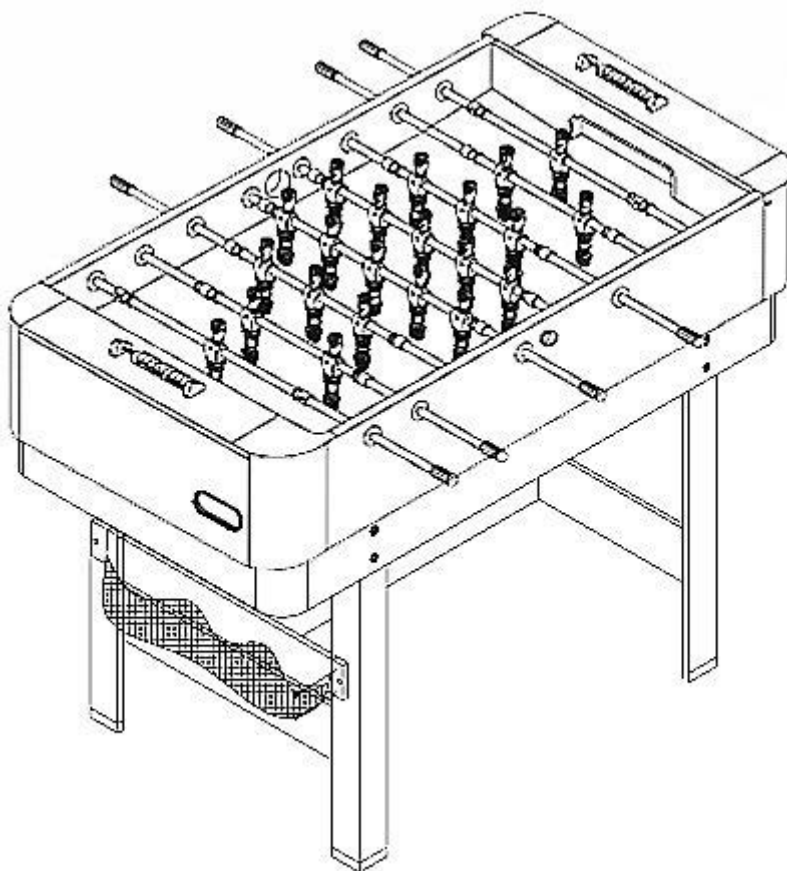





**06105, 06107, 06109, 06125, 06127, 06129  
06145, 06147, 06149, 06327  
IMPERIAL-XT, CAMPUS-XT, MULTIFUN-XT**


UK - MULTIGAME - INSTRUCTIONS  
FR - TABLE MULTI JEUX - INSTRUCTIONS  
ES - TABLA PARA JUEGOS MÚLTIPLES - INSTRUCCIONES  
IT - TAVOLO GIOCO CON MULTIPLE FUNZIONI - ISTRUZIONI  
NL - MULTI SPEELTAFEL - INSTRUCTIES  
DE - MULTIFUNKTIONSTISCH - ANLEITUNG




# IMPERIAL-XT, CAMPUS-XT, MULTIFUN-XT




	Billiard Cabinet Table de billard Mesa de billar Tavolo da biliardo Tafel biljart Estrutura de bilhar Billard Korpus
1 x	
06-102X-P1	


	Right Leg A + B Pied droit A + B Pata derecha A + B Gamba destra A + B Rechter poot A + B Perna do lado direito A + B Rechtes Bein A + B
2 x	
06-102X-P2A	
06-102X-P2B	


	Left Leg A + B Pied gauche A + B Pata izquierda A + B Gamba sinistra A + B Linker poot A + B Perna do lado esquerdo A + B Linkes Bein A + B
2 x	
06-102X-P3A	
06-102X-P3B	


	Side Apron Bordure latérale Panel lateral Piastra laterale Zijpanel Cobertura lateral Seitenplatte
2 x	
06-102X-P4	

	End Apron Bordure arrière Panel frontal Piastra terminale Eindrand Cobertura final Kopfteil
2 x	
06-102X-P5	


	Playfield 1 Table surface 1 Superficie 1 Campo 1 Speelveld 1 Superfície 1 Spielfeld 1
1 x	
06-102X-P6	


	Field Support Support de terrain Soporte del campo del huego Supporto del campo gioco Steun voor Speelveld Suporte do campo Spielfeldstützstrebe
2 x	
06-102X-P7	


	Leg Side Brace Attache latérale de pied Abrazaderalateral de pata Sostegno laterale gamba Zijsteun voor poot Painel central da perna Beinseitenstrebe
2 x	
06-102X-P8	


	Leg Centre Panel Panneau de pied Panel medio de pata Pannello centrale gamba Poot Middenpaneel Braço cruzado da extremidade da perna MittelSTREBE, bein
1 x	
06-102X-P9	


	Hand Grip Poignée Puno Impugnatura Handvat Pega Handgriff
8 X	
06-102X-P10	


	Accessory Holder A Support d'accessoire A Soporte para accesorios A Contentitore accessori A Accessoirehouder A Suporte do acessório A Zubehör-Halterung A
1 x	
06-102X-P11	


	Accessory Holder B Support d'accessoire B Soporte para accesorios B Contentitore accessori B Accessoirehouder B Suporte do acessório B Zubehör-Halterung B
1 x	
06-102X-P12	

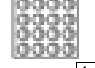
	Left Corner Cap Capuchon du coin gauche Tapa de la esquina izquierda Cappuccio angolo sinistro Linkerhoek kapje Tampão do canto esquerdo Linke Endkappe
2 x	
06-102X-P13A	


	Right Corner Cap Capuchon du coin droit Tapa de la esquina derecha Cappuccio angolo destro Rechterhoek Kapje Tampão do canto direito Rechte Endkappe
2 x	
06-102X-P13B	


	Leg Leveler Niveleur de pied Nivelador de pata Livellatori gambe Pootniveleerder Nivelador da perna Beinjusterschraube
4 x	
06-102X-P14	

	Manual Scorer Compteur de score manuel Marcador manual Segnapunti manuale Manuele scoreteller Pontuador manual Manueller Torzähler
2 x	
06-102X-P15	

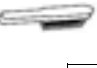
	Football Ballon Pelota de futbol Pallone da calcio Voetbal Bola Fußball
2 x	
06-102X-A1	


	Billiard Ball Set, 38 mm Set de boules de billard, 38 mm Juego de bolas de billard, 38 mm Set bocce biliardo, 38 mm Set biljart ballen, 38 mm Conjunto de bolas de bilhar, 38 mm Poolkugel Set, 38 mm
1 x	
06-102X-A2	

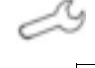
	Billiard Cue, 90 cm Queues de Billard, 90 cm Tacos de billard, 90 cm Stecche, 90 cm Biljartkeus, 90 cm Taco de bilhar, 90 cm Billard Queue, 90 cm
2 X	
06-102X-A3	

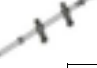
	Plastic Triangle Triangle de billard Triangolo Triangolo in plastica Plastic biljart triangel Triângulo de plástico Kunststoff Dreieck
1 x	
06-102X-A4	

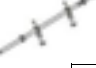
	Chalk Craie de billard Tizas Gesso da Biliardo Krijt Giz Kreide
2 X	
06-102X-A5	


	Brush Brosse de billard Cepillo Spazzola Borstel Escova Bürste
1 x	
06-102X-A6	

	Allen Key Clé hexagonale Llave Allen Chaive a brugola Inbussleutel Chave sextavada Inbusschlüssel
1 X	
06-102X-A25	

	Metal Wrench Clé Craie de billard Tizas Gesso da Biliardo Krijt Giz Kreide
1 x	
06-102X-A26	

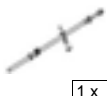
	2 Player rod Assembly Team A assemblée de tige à 2 joueurs Team A Varilla de 2 jugadores Team A Asta a 2 giocatori squadra A 2 Spelerstang Team A Vara de 2 jogadores A 2-Spieler-Stange Team A
1 x	
06-102X-R1	

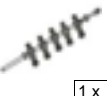
	2 Player rod Assembly Team B Assemblée de tige à 2 joueurs Team B Varilla de 2 jugadores Team B Asta a 2 giocatori squadra B 2-Spelerstang Team B Vara de 2 jogadores B 2 - Spieler-Stange Team B
1 x	
06-102X-R2	

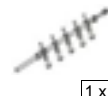
	1 Player rod Assembly Team A Assemblée de tige à 1 joueur Team A Varilla de 1 jugador Team A Asta a 1 giocatore squadra A 1 Spelerstang Team A Vara de 1 jogador A 1-Spieler-Stange Team A
1 x	
06-102X-R3	

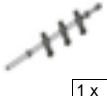
# IMPERIAL-XT, CAMPUS-XT, MULTIFUN-XT

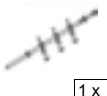


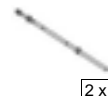
	1 Player rod Assembly Team B Assemblée de tige à 1 joueur Team B Varilla de 1 jugador Team B Asta a 1 giocatore squadra B
1 x	1 Spelerstang Team B Vara de 1 jogador B 1-Spieler-Stange Team B
06-102X-R4	

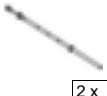
	5 Player rod Assembly Team A Assemblée de tige à 5 joue Varilla de 5 jugadores Team A Asta a 5 giocatori squadra A
1 x	5 Spelerstang Team A Vara de 5 jogadores A 5-Spieler-Stange Team A
06-102X-R5	

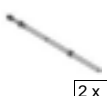
	5 Player rod Assembly Team B Assemblée de tige à 5 joueurs Team B Varilla de 5 jugadores Team B Asta a 5 giocatori squadra B
1 x	5-Spelerstang Team B Vara de 5 jogadores B 5-Spieler-Stange Team B
06-102X-R6	

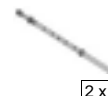
	3 Player rod Assembly Team A Assemblée de tige à 3 joueurs Team A Varilla de 3 jugadores Team A Asta a 3 giocatori squadra A
1 x	3 Spelerstang Team A Vara de 3 jogadores A 3-Spieler-Stange Team A
06-102X-R7	


	3 Player rod Assembly Team B Assemblée de tige à 3 joueurs Team B Varilla de 3 jugadores Team B Asta a 3 giocatori squadra B
1 x	3-Spelerstang Team B Vara de 3 jogadores B 3-Spieler-Stange Team B
06-102X-R8	


	2 hole Hollow Player Rod Tige à 2 trous Barra hueca de 2 agujeros Asta vuota a 2 fori
2 x	2 lege gaten spelerstang Vara do jogador com 2 orifícios Hohlstange, 2 Löcher
06-102X-C1	


	3 hole Hollow Player Rod Tige à 3 trous Barra hueca de 3 agujeros Asta vuota a 3 fori
2 x	3 lege gaten spelerstang Vara do jogador com 3 orifícios Hohlstange, 3 Löcher
06-102X-C2A	


	1 hole Hollow Player Rod Tige à 1 trou Barra hueca de 1 agujero Asta vuota a 1 foro
2 x	1 lege gat spelerstang Vara do jogador com 1 orifício Hohlstange, 1 Loch
06-102X-C2B	


	5 hole Hollow Player Rod Tige à 5 trous Barra hueca de 5 agujeros Asta vuota a 5 fori
2 x	5 lege gaten spelerstang Cavidade das varas 5 orifícios Hohlstange, 5 Löcher
06-102X-C3	


	Rubber Bumper A Butoir en caoutchou A Paragolpes A Gommino di sostegno A
8 x	Rubberen Stootblokje A Mola de borracha A Gummipuffer A
06-102X-C4	


	Rubber Bumper B Butoir en caoutchou B Paragolpes B Gommino di sostegno B
8 x	Rubberen Stootblokje B Mola de borracha B Gummipuffer B
06-102X-C5	


	Plastic Washer A Rondelle en plastique A Arandela de plástico A Rondella di plastica A
8 x	Plastic wasser A Anilha de plástico A Plastik Unterlegscheibe A
06-102X-C6	

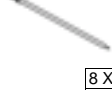
	Plastic Washer B Rondelle en plastique B Arandela de plástico B Rondella di plastica B
8 x	Plastic wasser B Anilha de plástico B Plastik Unterlegscheibe B
06-102X-C7	


	Player Stop Ring Bague d'arrêt des joueurs Anilla de parada de jugador Anello di arresto giocatore
4 X	Stopping voor speler Anel batente do jogador Spieler-Stopring
06-102X-C8	

	Player Mounting Screw Vis de montage des joueurs Tornillo de fijacion de jugador Vite di montaggio giocatore
52 x	Montageschroef voor speler Parafuso de fixação do jogador Spieler-Befestigungsschraube
06-102X-C9	


	Player - Team A Joueur Team A Jugador Team A Giocatore squadra A
11 x	Speler Team A jogador da equipa A Spieler - Team A
06-102X-C10	

	Player - Team B Joueur Team A Jugador Team B Giocatore squadra B
11x	Speler Team B jogador da equipa B Spieler - Team B
06-102X-C11	


	Player rod stick partie de la tige parte de la varilla parte del filo
8 X	deel van de staNG porção da VARA Spielstangenstab
06-102X-C12	


	Bolt, 6 x 25 mm Bullon, 6 x 25 mm Perno, 6 x 25 mm Bullone, 6 x 25 mm
18 x	bout, 6 x 25 mm Parafuso, 6 x 25 mm Schraube, 6 x 25 mm
06-102X-H1	


	Washer, 6 mm Rondelle, 6 mm Arandela, 6 mm Rondella, 6 mm
18 x	Wasser, 6 mm Anilha, 6 mm Unterlegscheibe, 6 mm
06-102X-H2	


	Screw, 4 x 40 mm Vis, 4 x 40 mm Tornillo, 4 x 40 mm Vite, 4 x 40 mm
8 x	Schroef, 4 x 40 mm Parafuso, 4 x 40 mm Schraube, 4 x 40 mm
06-102X-H3	


	Screw, 10 mm Vis, 10 mm Tornillo, 10 mm Vite, 10 mm
16 x	Schroef, 10 mm Parafuso, 10 mm Schraube, 10 mm
06-102X-H6	

	Screw, 25 mm Vis, 25 mm Tornillo, 25 mm Vite, 25 mm
4 x	Schroef, 25 mm Parafuso, 25 mm Schraube, 25 mm
06-102X-H7	

	Round Nut Ecrou circulaire Matriz de cabeça redonda Vite a dado
8 x	Moer Porca redonda Rundmutter
06-102X-H8	


	Washer Rondelle Arandela Rondella
8 x	Ring Anilha Unterlegscheibe
06-102X-H9	


	Elastic Washer Rondelle elastique Arandela flexible Rondella piana elastica
8 x	Ring, plat Anilha elástica Biegsamer Ring
06-102X-H10	

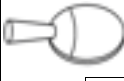
	Screw, 4 x 40 mm Vis, 4 x 40 mm Tornillo, 4 x 40 mm Vite, 4 x 40 mm
8 x	Schroef, 4 x 40 mm Parafuso, 4 x 40 mm Schraube, 4 x 40 mm
06-102X-H11	

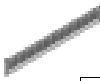
**06105, 06125, 06145 - 5 in 1**  
**06107, 06127, 06147 - 7 in 1**  
**06109, 06129, 06149 - 9 in 1**


	Playfield 2
	Table surface 2
	Superficie 2
	Campo 2
	1 x Speelveld 2
06-105X-P16	Superficie 2
	Spielfeld 2


	Hockey Pusher
	Percuteur de hockey
	Dispositivo para empuje
	Dispositivo di spinta
	2 x Glidehockey schuiver
06-105X-A7	Impulsor do hóquei
	Hockeyschieber


	Hockey Puck
	Palet de Hockey
	Disco
	Disco rotondo di spinta
	2 x Hockey puck
06-105X-A8	Disco do hóquei
	Hockey puck


	Table Tennis Paddle
	Raquette de ping pong
	Pala de ping pong
	Paletta da ping pong
	2 x Tafeltennisbatje
06-105X-A9	Raquete de pingue-pongue
	Tischtennisschläger

	Table Tennis Net
	Filet de table de ping pong
	Red de ping pong
	Rete per tavolo ping pong
	1 x Tafeltennisnet
06-105XP-A10	Rede de pingue-pongue
	Tischtennisnetz

	Table Tennis Ball
	Ball de ping pong
	Pelota de ping pong
	Pallina da ping pong
	2 x Tafeltennisbal
06-105X-A11	Bola de pingue-pongue
	Tischtennisball


	Table Tennis Post
	montant de table de ping pong
	postes de ping pong
	montanti per tavolo ping pong
	2 x Tafeltennissteun
06-105X-A12	POSTE de pingue-pongue
	Tischtennis pfosten


	Ice Hockey Stick
	Crosse de Hockey sur glace
	Palo de Hockey
	Bastone da Hockey
	2 X Ijshockeystick
06-105X-A24	Hockey sticks
	Hockeyschläger

	HOCKEY GOAL (PRE-ASSEMBLED)
	BUT DE HOCKEY (PRÉ-ASSEMBLÉ)
	PORTERIA DE HOCKEY (PRE-ENSAMBLAJE)
	RETE HOCKEY (PRE-ASSEMBLATO)
	2 X HOCKEY DOEL (VOORGEMONTEERD)
06-105X-A25	PORTA DO HÓQUEI (PRÉ-MONTADO)
	HOCKEYTOR (VORMONTIERT)


**06107, 06127, 06147 - 7 in 1**  
**06109, 06129, 06149 - 9 in 1**


	Playfield 5
	Table surface 5
	Superficie 5
	Campo 5
	1 x Speelveld 5
06-107X-P19	Superficie 5
	Spielfeld 5


	Playing cards
	Cartes
	Baraja de cartas
	Carte da gioco
	1 x Speelkaarten
06-107X-A13	Cartas de jogo
	Spielkarten


	Dice set
	Set de des
	Conjunto de dados
	Set di dadi
	1 x Set dobbelstenen
06-107X-A18	Conjunto de dados
	Würfelset


**06109, 06129, 06149 - 9 in 1**

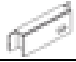



	Shuffleboard playfield
	Table surface de shuffleboard
	Superficie de campo shuffleboard
	Campo da gioco shuffleboard
	1 x Speelfeld shuffleboard
06-109X-P18	Superficie shuffleboard
	Shuffleboard Spielfeld

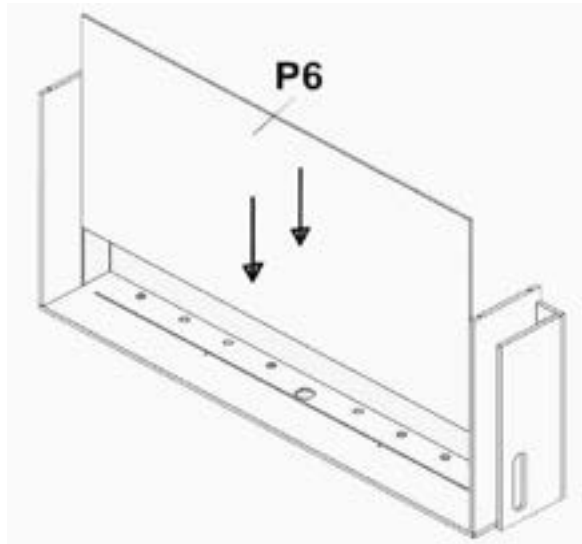
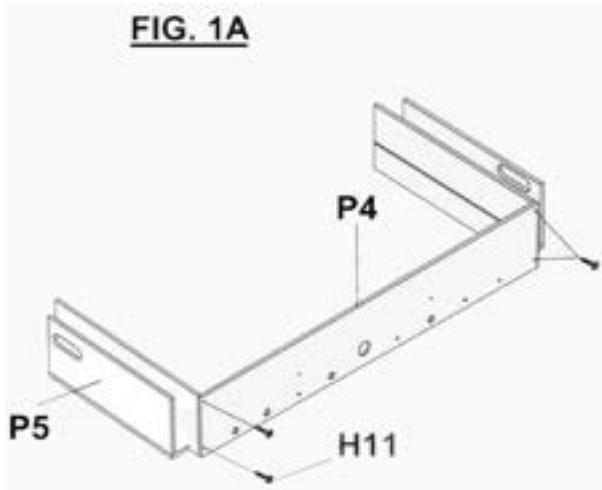
	Shuffleboard disc A
	Disque de shuffleboard A
	Pesos de Shuffleboard A
	Disco da shuffleboard A
	3 x Discus de shuffleboard A
06-109X-A14	Disco da shuffleboard A
	Shuffleboard Scheiben A


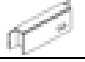


	Shuffleboard disc B
	Disque de shuffleboard B
	Pesos de Shuffleboard B
	Disco da shuffleboard B
	3 x Discus de shuffleboard B
06-109X-A15	Disco da shuffleboard B
	Shuffleboard Scheiben B

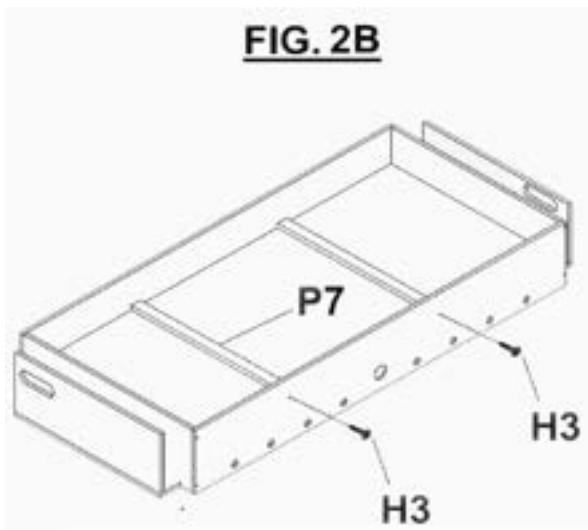
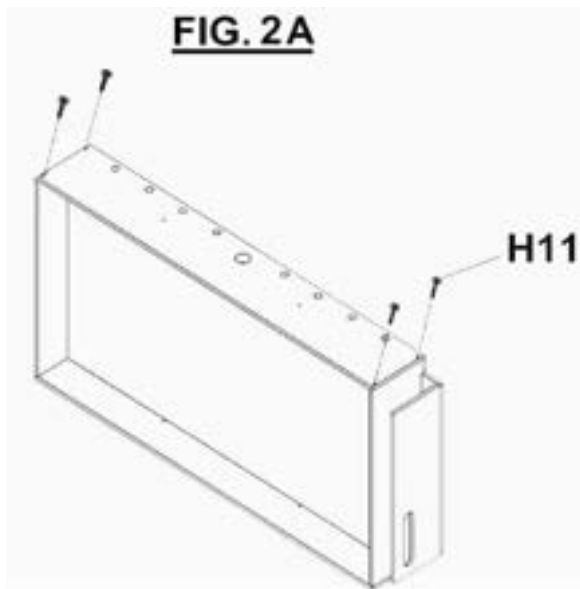
	Bowling Balls
	Boule de bowling
	Bola para bolos
	Pallone da birilli
	1 x Kegel bal
06-109X-A16	Bola de Bowling
	Kegel Kugel

	Bowling pin
	Quille de bowling
	Bolos
	Birillo
	10 x Kegel
06-109X-A17	Pinos de bowling
	Kegel

<b>FIG. 1</b>	P5  2 x	P4  1 x	P6  1 x
	<b>FIG. 1B</b>		H11  4 x

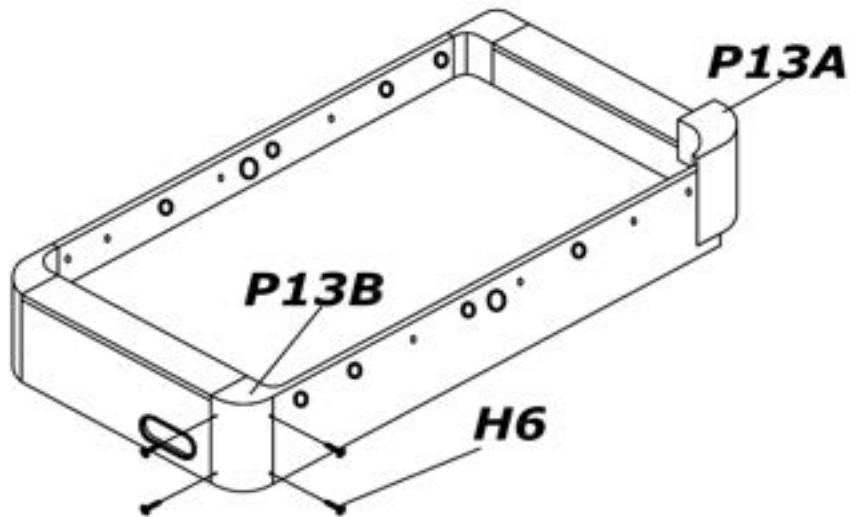


<b>FIG. 2</b>	P7  2 x	P4  1 x	H3  4 x
	<b>FIG. 2A</b>		H11  4 x



**FIG. 3**

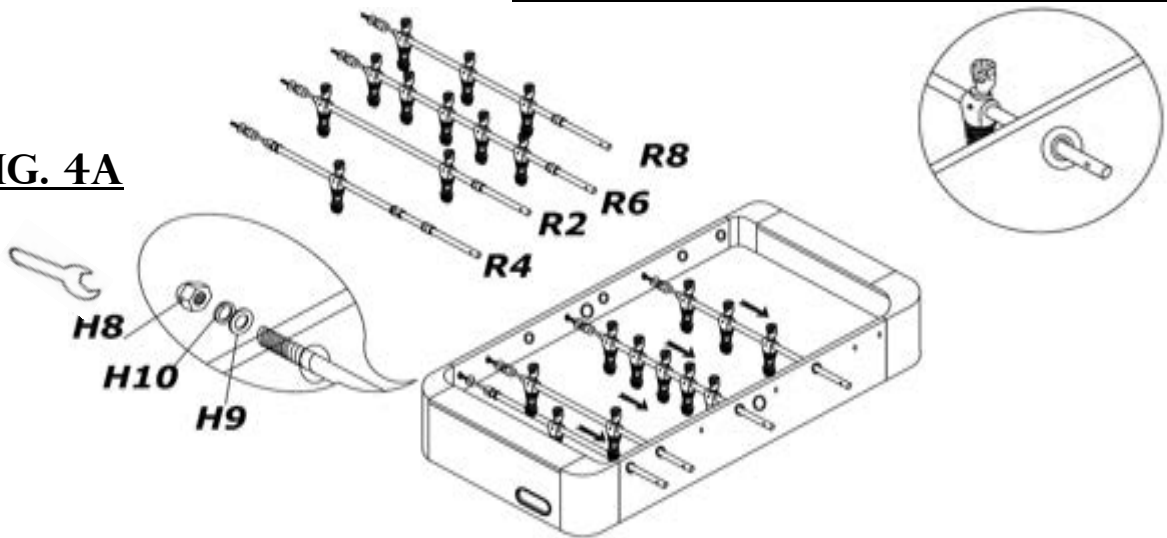
P13A		2 x	P13B		2 x	H6		16 X
------	--	-----	------	--	-----	----	--	------

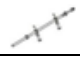
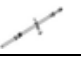








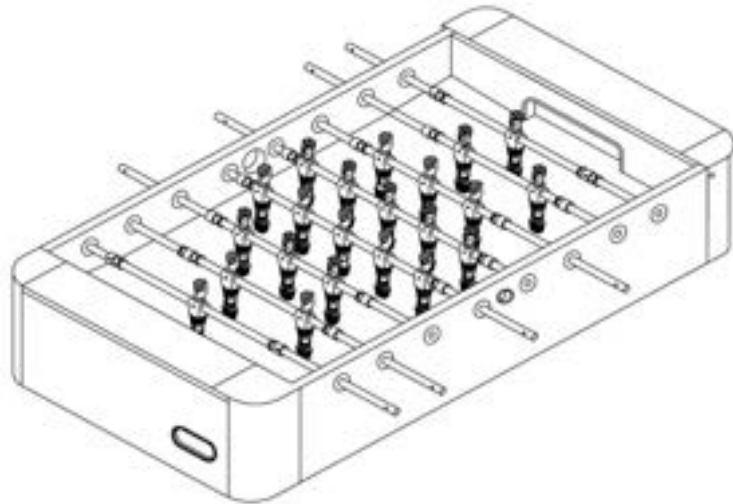
**FIG. 4**


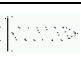

R2		1 x	R4		1 x	R6		1 x
R8		1 x	H8		4 x	H9		4 x
			H10		4 x	A26		1 x

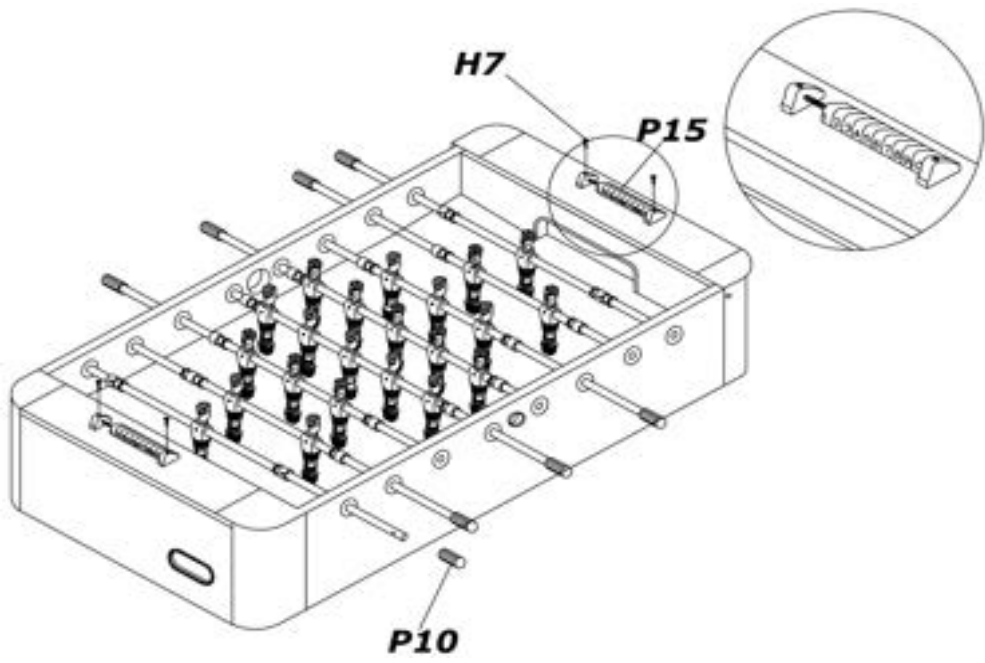
**FIG. 4A**








<b>FIG. 5</b>	R1		1 x	R3		1 x	R5		1 x
	R7		1 x	H8		4 x	H9		4 x
				H10		4 x	A26		1 x

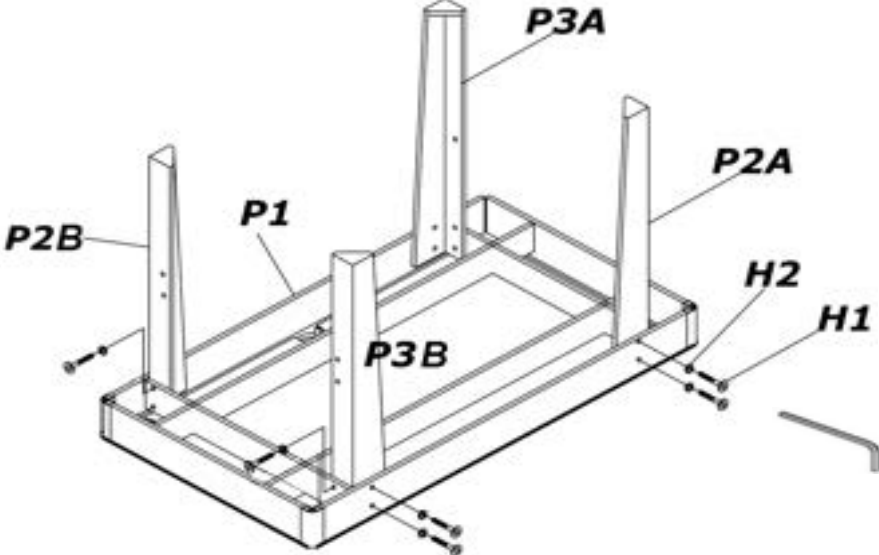


<b>FIG. 6</b>	P15		2 x	H7		4 x	P10		8 x
---------------	-----	---	-----	----	---	-----	-----	---	-----










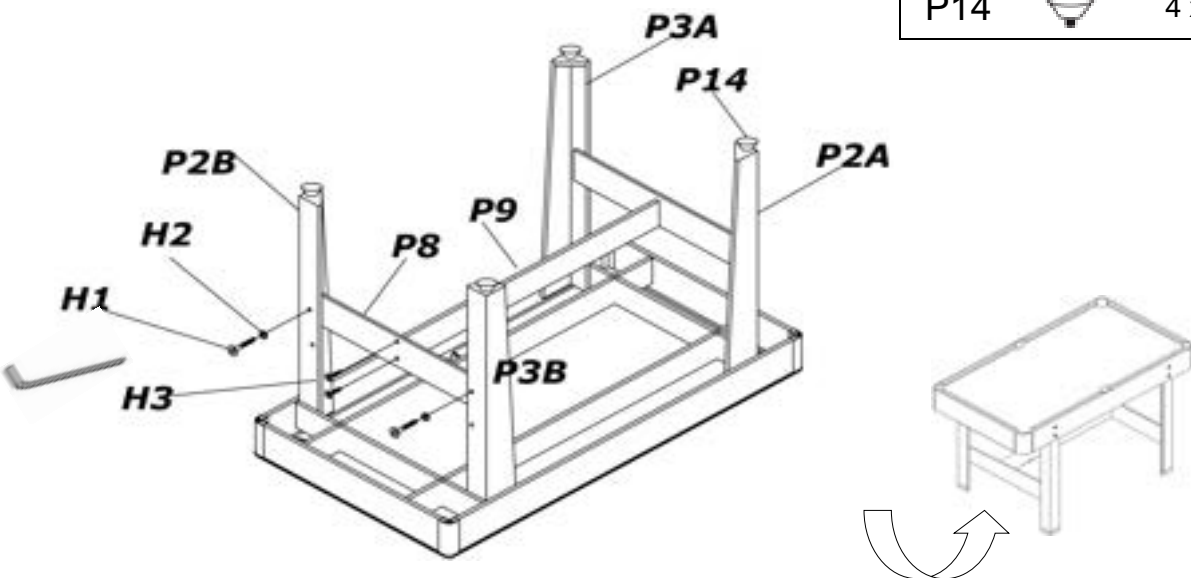
**FIG. 7**

P2A+B 	2 x	P3A+B 	2 x	H1 	12 x
		H2 	12 x	A25 	1 x








**FIG. 8**

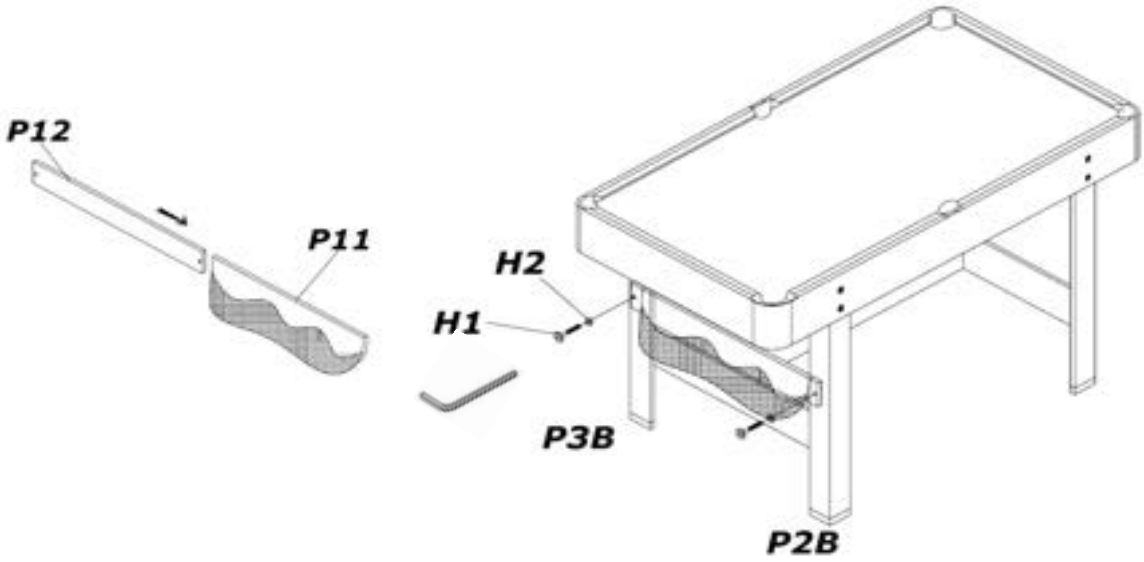
H1 	4 x	H2 	4 x	A25 	1 x
P8 	2 x	P9 	1 x	H3 	4 x
				P14 	4 x








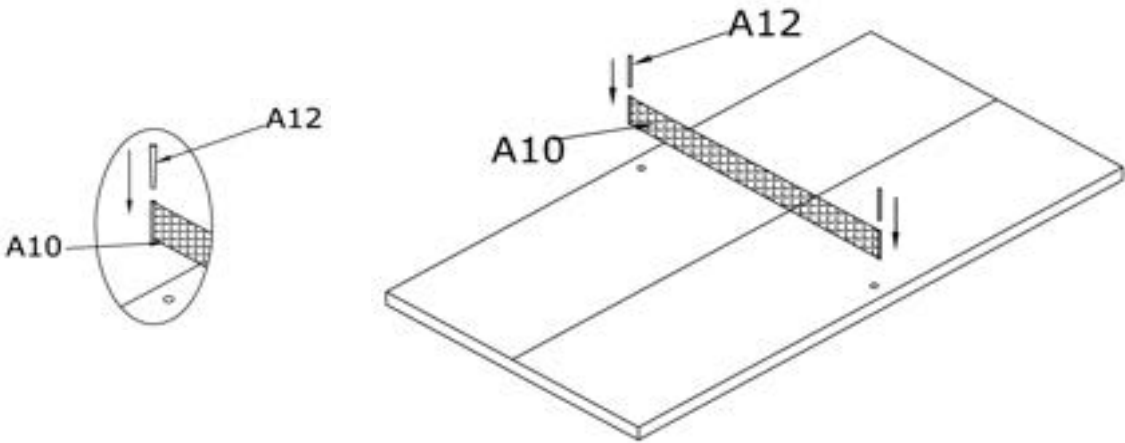
**FIG. 9**

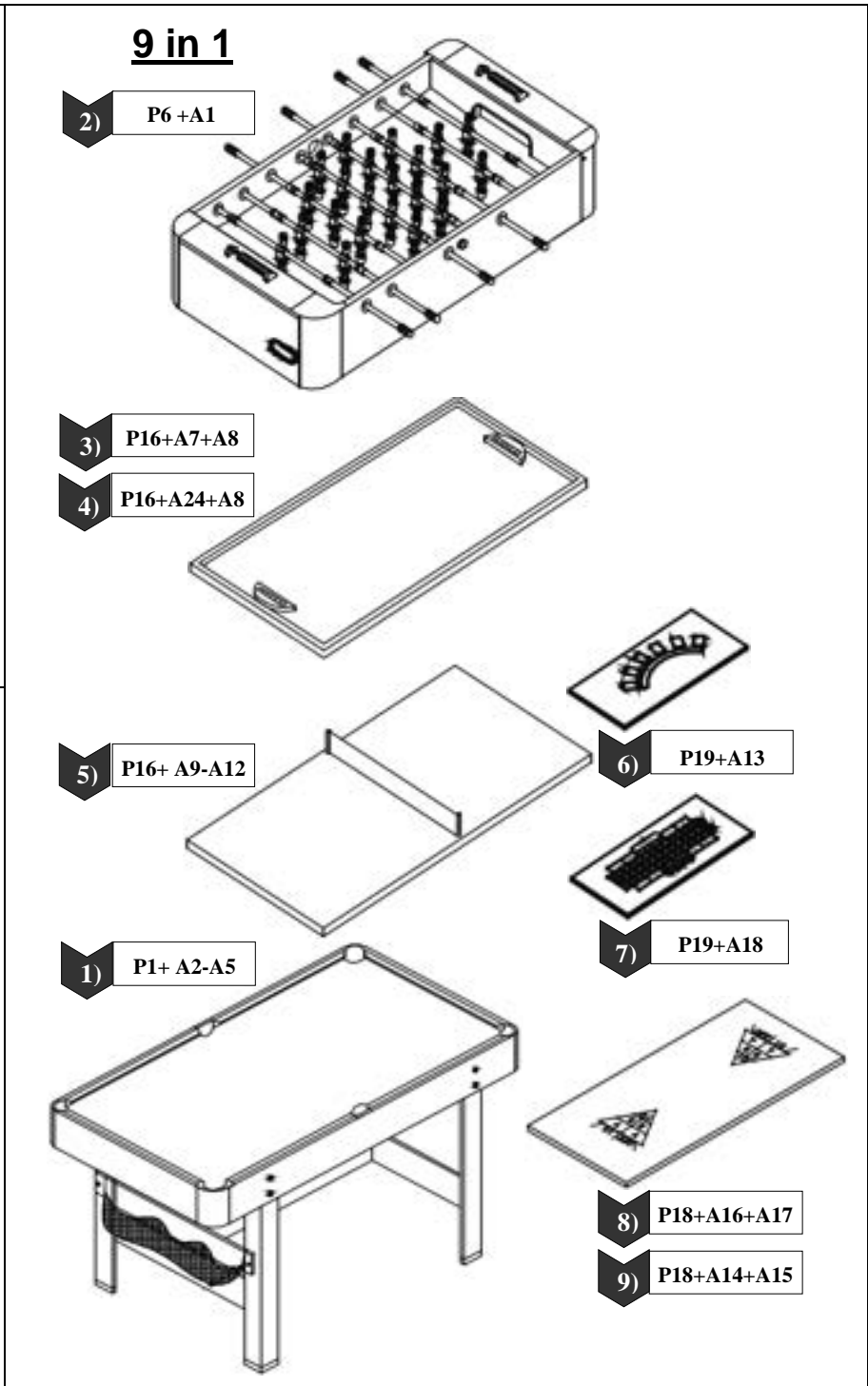
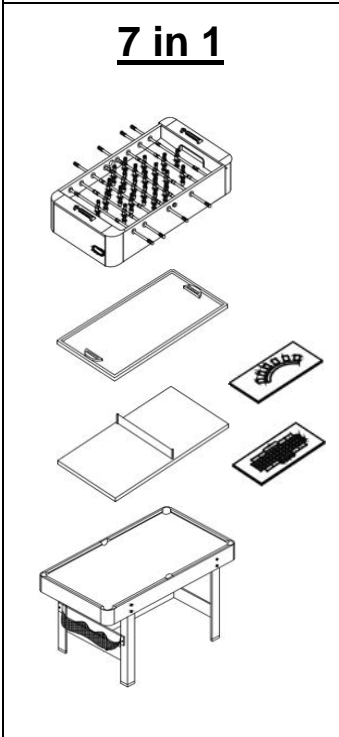
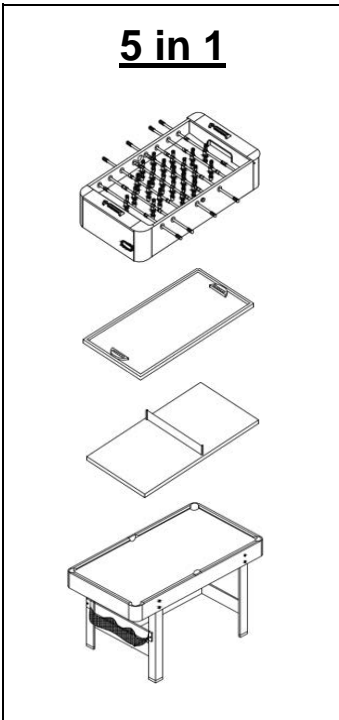
P11		1 x	P12		1 x	H1		2 x
			H2		2 x	A25		1 x



**FIG. 10**

P16		1 x	A10		1 x	A12		2 x
-----	---	-----	-----	---	-----	-----	---	-----





**WARNING!** Not suitable for children under the age of 36 months due to small parts and small balls, which could be swallowed or inhaled by young children. Choking hazard! To be assembled by an adult. Children should play with adult supervision only. Please retain this information. Proper use of this table game can avoid damage or injury!

### **Congratulations on the purchase of your new “CARROMCO” Table Game!**

We hope you will have many hours of fun with family, and friends with this product. Please ensure that you keep your Instruction Manual for future reference! Please also note your model number (as detailed on the front page of this manual and also located on the barcode panel of the colour label on the front apron of the carton packaging) as this information is necessary should you need to contact us with any product queries.

Prior to assembly of this table game please read through the Instruction Manual carefully and familiarize yourself with all product parts, assembly steps, and guidelines. We would recommend that you assemble this table game with two adults as assembly will be much easier due to size of product. Please refer to the Parts Identifier on the following pages, and be sure that all table game parts are included.

PLEASE NOTE - If you are missing a part, or if you have any questions, please do not return the table to the store, please call or contact the Customer Service Centre (+49 (0) 1805 25 63 63, [service@carromco.com](mailto:service@carromco.com)) and we will endeavour to assist with any queries that you may have.

### **TOOLS REQUIRED FOR ASSEMBLY**

- 1 x Philips Screwdriver
- 1 x Slotted Screwdriver
- 1 x L-Shaped Tool (included)
- 1 x Wrench (included)

### **TABLE MAINTENANCE:**

- **TABLE:** Keep your table covered. If there is dust on the playfield or the aprons use a vacuum or wipe with a clean, soft cloth to remove. Do not sit on the table and do not use the table outside.
- **RODS:** Make sure that the bolts and screws on the players are tight. Occasionally wipe the rods with a clean, soft cloth. Never lift the table by the rods. Do not spin the rods too aggressively, as this may cause damage. We recommend the use 100 % silicone to lubricate the bushings, from the outside of the game so as not to drip onto the playfield.
- **LEGS:** Check that the leg bolts are tight. When moving the table, lift the table off of its legs and place it down squarely on the legs, do not drag the table (and do not lift by the rods).

**WASTE DISPOSAL:** Dispose the table through a private or state recycling agency. Please be aware of the updated official directives. Please contact the recycling agency in case of doubt.

**Have fun with your “CARROMCO” Table Game!**

## **GAME RULES**

### **1) POOL BILLIARD (5in1, 7in1, 9in1)**

#### **WINNING THE GAME**

- In Pool one Player shoots at solid balls (numbers 1 – 7).
- The opponent Player shoots at striped balls (numbers 9 through 15).
- To determine who will start the game “toss a coin”. The Winner of the “coin toss” gets to start the game by breaking. The loser of the previous game then gets to break the new game.
- A Player who legally pockets a Ball continues play until missing or committing a foul.
- Once a Players Ball group (stripes/solids) is pocketed, the Player may play the 8 Ball.
- The first Player who pockets his or her ball numbers legally first and then sinks the 8 Ball is the Winner!

#### **GAME RULES**

- The Cue Ball (White Ball) is placed behind the head string and the Player must either 1. pocket a ball, or 2. drive four balls into the rails of the table. If the Player fails to make a correct break the opponent has the option of playing the balls in this position, or racking the balls and playing the opening break again.
- Balls Pocketed at the Break\_– The Player stays on the table, and has a choice of calling the shot of stripes or solids.
- 8 Ball Pocketed at the Break – The Player stays on the table and has the option of spotting the 8 Ball, continuing Play or re-racking the Balls/breaking again.
- Scratching at the Break – When the Cue Ball (White Ball) is pocketed on the break 1. all balls except the 8 Ball are pocketed, 2. the table is open, 3. the opponent Player has the cue ball in hand and may place it anywhere behind the head string and shoot at any ball not behind the head string.
- After the break, regardless if Balls were pocketed, the table is Open.
- Player has choice of Stripes/Solids which are determined by the next legal Ball pocketed.
- PLEASE NOTE – Players must call each Shot in advance by indicating ball, and pocket! Otherwise failure to call means loss of turn!
- To execute a Legal Shot, the first Ball hit must be one of the Balls in the Players group (either stripes or solids). The object Ball must be pocketed or the Cue Ball (White Ball) or any object Ball must come into contact with the table’s rail.
- PLEASE NOTE – It is permissible for the shooter to bank the cue ball off a rail before contacting his object ball; however, after contact with his object ball, an object ball must be pocketed, OR the cue ball.

#### **OUT OF PLAY**

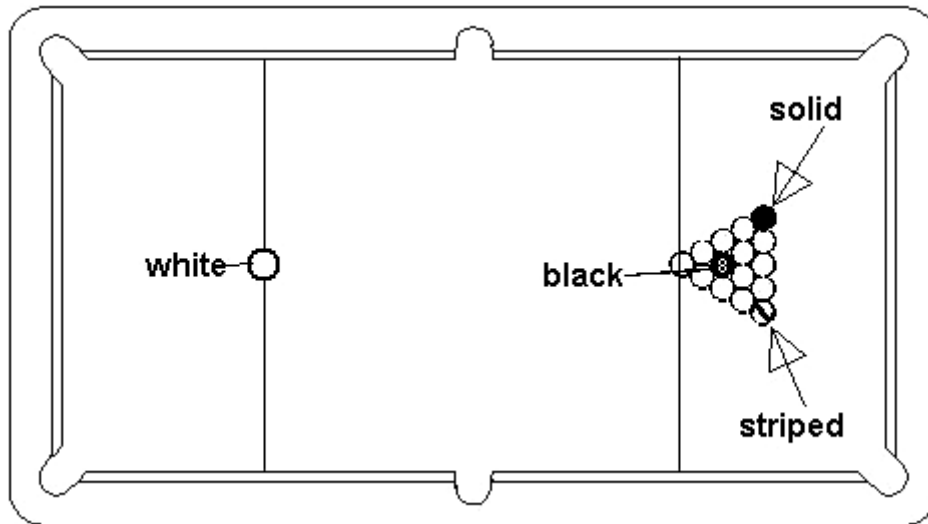
- Fouls when pocketing the 8 Ball.
- Pockets the 8 Ball on the same play as the last group of Balls.
- Pockets the 8 Ball in a pocket other than the one at shot.
- Pockets the 8 Ball when not the legal object Ball.
- Scratches when the 8 Ball is the legal object Ball.
- Hits the 8 Ball off the table.

#### **FOUL**

- Opponent Player gets “cue ball in hand”. The Player can place the Cue Ball (White Ball) anywhere on the table (to be behind the head string on opening break only).

#### **SPOTTING**

- A Ball is spotted on the long string as close to the foot spot as possible.



**2) FOOTBALLTABLE (5in1, 7in1, 9in1)**

WINNING THE GAME

- Either 2 Players may compete, or 4 Players may compete (2 Players on each team).
- To determine who will start the game “toss a coin”. The Winner of the “coin toss” gets to start the game by dropping the ball into the middle of the playfield.
- First Player to reach the agreed score Wins!

GAME RULES

- Passing and Scoring is achieved by pushing/pulling Rods and rolling handgrips.
- Spinning the player Rods may be legal or illegal (this is dependent upon the players’ choice/agreement prior to start of game).
- If you are playing as teams, players may not change positions after the ball is served.
- In match play, teams change side after each game.
- Intentional jarring or tipping of the table is not legal.
- Reaching into the playfield during play is not legal except to retrieve a Dead Ball.

DEAD BALL

- A ball stopping or caught between two opposing players should be retrieved, and the ball is returned to play through one of the ball entry cups.
- The ball stopping between players of the same team, the ball should be put back into play by playing it in the nearest corner of the playfield and releasing it.

OUT OF PLAY

- A ball leaving the playfield area during play (other than through the goals), the ball is returned to play through one of the ball entry cups.

**3) + 4) PUSH HOCKEY & ICE HOCKEY (5in1, 7in1, 9in1)**

WINNING THE GAME

- Either 2 Players may compete, or 4 Players may compete (2 Players at each end of the game table).
- To determine who will start the game “toss a coin”. The Winner of the “coin toss” gets to start the game by placing the puck on the playfield.
- First Player to reach the agreed Score Wins!

GAME RULES

- Players must hit the puck with the handheld hockey pushers or hockey sticks and attempt to shoot into the opponent’s goal box.
- If you are playing as teams, players may not change positions after the game has

commenced.

- In match play, teams change side after each game.
- Intentional tipping of the table is not legal.
- Reaching into the playfield during play is not legal except to retrieve a Dead Puck.

#### DEAD PUCK

- A Puck stopping or caught between two opposing players should be retrieved, and the Puck is returned to play by placing on the playing surface.

#### OUT OF PLAY

- A Puck leaving the playfield area during play (other than through the goals), the Puck is returned to play by placing on the playing surface.

### **5) TABLE TENNIS (5in1, 7in1, 9in1)**

#### WINNING THE GAME

- To determine who will start the game “toss a coin”. The Winner of the “coin toss” gets to start the game by serving the ball.
- The game is won by the player, or pair first scoring 21 points unless both players/pairs have scored 20 points. In this instance the Winner is the first player/pair to first score 2 points more than the opposing player/pair!
- A Match consists of continuous play of the best of three or five games. Any player may claim a rest period of 2 minutes between successive games of the Match.

#### GAME RULES

- Order of Play – Singles – The server of the ball makes a good serve, and the opponent makes a good return. Both server/opponent thereafter make a good return.
- Order of Play – Doubles – The server of the ball makes a good serve, and the opponent makes a good return. Then the partner of the server makes a good return, and the opponents partner returns the ball. Each player then continues with good returns.
- Service – Singles - The server will start with the ball resting in the palm of their hand. The server throws the ball upwards and then strikes the ball before it touches the table. After striking the ball it must first touch the servers court and then pass over the net and touch the opponents right hand court or white centre line. Should a player fail to strike the ball whilst serving he will lose a point.
- Service – Doubles - The server will start with the ball resting in the palm of their hand. The server throws the ball upwards and then strikes the ball before it touches the table. After striking the ball it must first touch the servers right hand court or white centre line pass over the net then touch the opponents court. Should a player fail to strike the ball whilst serving he will lose a point.
- Return – Once the ball has been served the opponent must strike the ball that it returns directly over the net, and touches the opponents court. Should a ball being returned touch the net, or supports on the return it is still considered a good return.
- Change of Ends – The player/pair who start the game at one end, then starts the next game at the opposing end. Players/pairs keep switching ends until the end of the Match.

#### OUT OF PLAY

- Ball touches the same court consecutively.
- Ball has been volleyed.
- Ball touches the player anywhere other than the racket, or players racket hand below the wrist.
- Ball touches any other object other than court/net/support/racket, or players racket hand below the wrist.
- Ball is struck consecutively by a player.
- In Doubles the ball touches the left hand corner court of the server/receiver.
- Ball is struck by a player out of sequence.

#### LET

- When a player serves the ball and the opponent is not ready (a player may not be considered unready should they strike at the ball).
- Play is interrupted due to a correct of playing order.

### **6) BLACK JACK (7in1, 9in1)**

#### THE GAME

- The object of the game is to get a card point total closer to "21" than the dealer does without going over.
- The dealer starts with dealing two cards to each player and one to itself.
- When every player has its two cards the dealer asks everyone if it wants additional cards until the player "BUSTS" (goes over point total of 21) or indicates that it wants to "STAND" (keep the current number of cards dealt).
- When every player has finished with its hand, the dealer's turn is on.
- The dealer has rules that determine its play; these rules tell that the dealer will take a card when its total is  $\leq 16$ , and stand when it has a count of at least 17.
- After the dealer has finished with its hand, assuming the dealer doesn't "Bust", it will pay off bets with better hands, collect bets on worse hands, or in the case of a tie pays the player's bets back.
- Players then add the winnings, if any, to their accounts, and make a new bet as the entire process is repeated with a new game/hands. Each Player tries to move the pieces to block the opposing player, or capture all of the opposing Players pieces, and remove them from the playfield.

#### PLAYING CARDS COUNT AS FOLLOWS

- Ace counts as 1 or 11
- Jack, Queen, King count as 10
- All other cards as shown on the card.

### **7) CRAPS (7in1, 9in1)**

#### THE GAME

- Craps is a game of chance and is played a pair of dice that are thrown by the shooter.
- The objective is to bet whether the shooter will roll a winning combination.
- On the first roll of the dice (the come-out phase), the shooter wins by rolling either a 7 or 11.
- Rolling Craps (2, 3, or 12) loses.
- Any other number (4, 5, 6, 8, 9, or 10) is called the point and brings the game into the point phase.
- To win, the point number must be rolled again before a 7 is rolled. Winning here is also known as passing.
- If a 7 is rolled before the point number, the shooter has sevened-out and loses.

### **8) BOWLING (9in1)**

#### GAME

- Game consisting of 10 Pins, and 10 Frames.
- A Player bowls two balls in each of the first 9 Frames unless a STRIKE is scored.
- In the 10 Frame a Player delivers three balls only if a STRIKE or SPARE is scored.
- Every frame must be completed by each Player bowling in regular order.
- Except when a STRIKE is scored, the number of pins knocked down by the Players first bowl is to be marked next to the small square in the upper right hand corner of that frame. The number of pins knocked down by the Players second delivery is to be marked inside the small square.
- If none of the standing pins are knocked down by the second delivery in a frame, the score sheet shall be marked with a (-). The count for the two deliveries in the frame shall be recorded immediately.

- Strike – A Strike is made when the 10 Pins is knocked down with the first delivery in a frame. It is marked with an (x) in the small square in the upper right hand corner of the frame where it was made. The count for one strike is 10 plus the number of pins knocked down on the Players next two deliveries.
- Triple/Turkey – Three successive strikes is a triple or turkey. The count for the first strike is 30. To bowl the maximum score of 300, the Player must bowl 12 Strikes in succession.
- Spare – A spare is made when the second delivery knocks down all standing pins, and the score sheet shall be marked with a (/). The count of a spare 10 plus the pins knocked down in the following delivery.

### **9) SHUFFLEBOARD (9in1)**

#### **WINNING THE GAME**

- Shuffleboard can be played either Singles, or Doubles.
- To determine who will start the game “toss a coin”. The Winner of the “coin toss” gets to choose colour.
- Start the game with the red disc shot first. Play alternates red (from right side head of court/left side at foot of court) then black/until all discs are shot.
- Scoring is complete by 50/75 or 100 point basis.

#### **THE GAME RULES**

- Players place their discs not touching but within the lines of their respective play half of the 10 off area.
- Penalty 5 off applies – a Penalty is not applied to a Player until a disc has been played.
- The disc must be played from the clear front within the respective half of the 10 off area.
- If the played disc touches the front or back lines of the play field – A Penalty 5 Off applies.
- If the played disc touches the side line or triangle – A Penalty 10 Off applies. This is where the offending Players discus is removed, and the opponent Player is credited with any disc displaced.
- All displaced discs shall be removed from the court immediately after the scoring of the opponents displaced discs.
- No penalty is inflicted if the disc being played, STARTED clear and should touch or cross the separation triangle. Play must be continuous and without hesitation.
- No curve shot will apply – the shot must be delivered in a concise straight line with a forward continuous flow of the disc.
- No part of the Players body including hand, foot, knee shall not step on or over the baseline of the playfield, or the extension of the baseline, except to gather and place their discs.

#### **Service Address:**

CARROMCO GmbH & Co. KG  
Mühlenweg 144, D-22844 Norderstedt, Germany  
Tel.: 49 (0) 1805 25 63 63  
E-Mail: [service@carromco.com](mailto:service@carromco.com) Website: [www.carromco.com](http://www.carromco.com)

Please keep for future reference

MADE IN CHINA





**ATTENTION!** Ne convient pas aux enfants de 36 mois. Présence de petits éléments et petites balles risquant d'être avalés ou inhalés. Risque d'étouffement! Les enfants ne doivent jouer que sous la surveillance d'adultes. A monter par un adulte. Cette information à conserver SVP. Une utilisation correcte de ce baby-foot peut éviter tout dommage et blessure!

**Nous vous félicitons d'avoir acheté votre nouveau baby-foot "CARROMCO"!**

Nous espérons que vous partagerez de nombreuses heures d'amusement avec votre famille et vos amis en jouant avec ce produit. Veuillez vous assurer de conserver ce manuel d'instructions pour toute future référence ! Veuillez noter également le numéro de votre modèle (comme indiqué sur la page de couverture de ce manuel et également situé sur l'étiquette colorée du code barre du panneau avant du carton d'emballage) car cette information sera nécessaire si vous nous contactez pour toute question concernant ce produit.

Avant d'assembler ce baby-foot, veuillez lire attentivement le manuel d'instructions et familiarisez-vous avec toutes les pièces du produit, les étapes d'assemblage et les précautions à prendre. Nous vous conseillons que l'assemblage de ce baby-foot soit réalisé par deux adultes car l'assemblage sera beaucoup plus aisé compte tenu de la taille du produit. Veuillez vous référer à la liste des pièces donnée dans les pages suivantes pour vous assurer que toutes les pièces composant le baby-foot soient incluses.

VEUILLEZ NOTER – Si une pièce manque, ou si vous avez une question, veuillez ne pas retourner le baby-foot au magasin mais appelez ou contactez notre centre d'assistance aux consommateurs (coordonnées indiquées ci-dessus) et nous emploierons tous nos efforts pour répondre à toutes vos questions.

**OUTILS NECESSAIRES POUR L'ASSEMBLAGE**

- 1 tournevis pour écrou à fente
- 1 tournevis cruciforme
- 1 outil en forme de L (inclus)
- 1 Clé (inclus)

**ENTRETIEN DE LA TABLE:**

- LA TABLE: Gardez votre table couverte. S'il y a de la poussière sur la surface ou sur les panneaux latéraux, utilisez un aspirateur ou un tissu propre et doux pour les nettoyer. Ne vous asseyez pas sur la table et ne l'utilisez pas à l'extérieur.
- LES TIGES : Assurez-vous que les boulons et les vis des joueurs sont bien serrés. Essayez les barres avec un tissu propre. N'utilisez jamais les barres pour soulever la table. Ne faites pas tourner les barres de manière trop agressive, car cela peut les endommager. Nous recommandons un lubrifiant à 100% de silicone pour lubrifier les bagues des barres. Veuillez appliquer le lubrifiant sur la partie extérieure de la table afin de ne pas en faire fuir sur le terrain du jeu.
- LES PIEDS : Assurez-vous que les boulons sont bien serrés. Lorsque vous déplacez la table, soulevez la table de part et d'autre et replacez la table doucement sur les quatre pieds. Ne faites pas glisser la table (et ne la soulevez pas en utilisant les barres).

**MISE AU REBUT:** La table doit être mise au rebut dans un point de collecte approprié (déchetterie), conformément aux réglementations et directives officielles en la matière. Contactez les autorités locales pour plus d'informations.

**Amusez-vous bien avec votre baby-foot "CARROMCO"!**

## **REGLES DU JEU**

### **1) BILLARD (5en1, 7en1, 9en1)**

#### **GAGNER LE JEU**

- Dans le jeu de billard, un joueur tire dans les boules de couleur uniforme (numérotées de 1 à 7).
- L'adversaire tire dans les boules rayées (numérotées de 9 à 15).
- Pour déterminer qui va démarrer le jeu, jouez « à pile ou face ». Le vainqueur du « pile ou face » commencera le jeu en cassant le set de boules. Ou le perdant du jeu précédent sera celui qui cassera les boules du nouveau jeu.
- Un joueur qui remporte une boule continue à jouer jusqu'à ce qu'il perde ou commette une erreur.
- Une fois qu'un groupe de boules (uniformes ou rayées) est remportée, le joueur jouera la boule numéro 8.
- Le premier joueur qui remporte toutes ses boules et qui remporte la boule 8 est le gagnant !

#### **REGLES DU JEU**

- La boule blanche est placée derrière la ligne de tête et le joueur doit 1. faire tomber une boule ou 2. amener quatre boules dans une bordure de la table. Si le joueur ne réussit pas à casser correctement les boules, l'adversaire a l'option de jouer les boules dans cette position ou de casser les boules de nouveau.
- Boules remportées à la cassure- Le joueur reste en jeu et peut choisir les boules uniformes ou rayées.
- La boule 8 remportée à la cassure- Le joueur reste en jeu et a l'option de jouer la boule 8, de continuer à jouer ou de remettre les boules pour les casser de nouveau.
- Scratch à la cassure- Lorsque la boule blanche est remportée à la cassure 1. toutes les boules sauf la boule 8 sont remportées 2. la table est ouverte 3. le joueur adversaire prend la boule blanche en main et la pose où il veut derrière la ligne de tête et tire sur n'importe quelle boule placée derrière la ligne de tête.
- Après la cassure, que des boules soient remportées ou non, la table est ouverte.
- Le choix des boules uniformes ou rayées est déterminé par la première boule remportée. VEUILLEZ NOTER – Les joueurs doivent notifier de leur coup à l'avance en indiquant la boule et la poche ! Autrement, le joueur perd son tour !
- Pour remporter un coup, la première boule frappée doit être une des boules du groupe du joueur (rayées ou uniformes). La boule doit être remportée ou la boule blanche ou toute autre boule doit entrer en contact avec l'une des bordures de la table. VEUILLEZ NOTER – Il faut frapper la balle blanche avant de taper dans l'une des autres boules.

#### **HORS JEU**

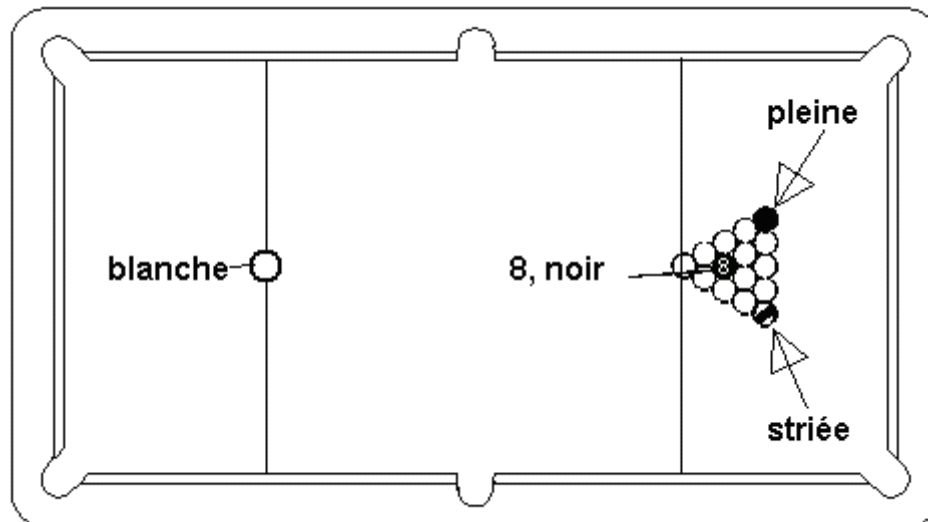
- Lorsque la boule 8 est remportée avant les autres boules.
- Remporter la boule 8 en même temps que les autres boules du groupe.
- Remporter la boule 8 dans une poche autre que celle correspondante au groupe.
- Remporter la boule 8 lorsqu'elle n'est pas celle qui est visée.
- Faire un scratch lorsque la boule 8 est la boule qui doit être jouée.
- Ejecter la boule 8 hors de la table.

#### **ERREUR**

- Le joueur adversaire prend la « boule blanche en main ». Le joueur peut placer la boule blanche n'importe où sur la table (derrière la ligne de tête au moment de la cassure uniquement).

#### **POINTAGE**

- Une boule est pointée sur la ligne la plus proche du point inférieur possible.



**2) BABY FOOT (5en1, 7en1, 9en1)**

**GAGNER LE JEU**

- 2 joueurs peuvent jouer l'un contre l'autre, ou 4 joueurs peuvent jouer (2 joueurs par équipe).
- Pour déterminer quelle équipe va démarrer le jeu, jouez « à pile ou face ». Le vainqueur du « pile ou face » commencera le jeu en lançant le ballon au milieu du terrain.
- Le premier joueur/ la première équipe qui obtient le score convenu gagne !

**REGLES DU JEU**

- Passer le ballon et marquer un but s'effectue en poussant/tirant les tiges des joueurs et en faisant rouler les poignées.
- Faire tourner les tiges des joueurs peut être autorisé ou non autorisé (selon le choix / accord des joueurs avant le début du jeu).
- Si vous jouez en équipe, les joueurs ne peuvent plus changer de position une fois que le ballon est en jeu.
- Lors d'un match, les équipes changent de côté après chaque jeu.
- Secouer ou incliner intentionnellement le baby-foot n'est pas permis.
- Prendre le ballon sur le terrain durant le jeu n'est pas permis sauf si le ballon est annulé.

**BALLON ANNULE**

- Un ballon arrêté ou coincé entre deux joueurs adversaires devra être retiré et le ballon sera alors remis en jeu par une des entrées de ballon.
- Si le ballon est arrêté entre des joueurs d'une même équipe, il devra être remis en jeu dans le coin le plus proche du terrain et relâché.

**HORS JEU**

- Un ballon quittant le terrain de jeu (autrement que par les buts) devra être remis en jeu par une des entrées de ballon.

**3) + 4) PUSH HOCKEY & HOCKEY SUR GLACE (5en1, 7en1, 9en1)**

**GAGNER LE JEU**

- 2 joueurs peuvent jouer l'un contre l'autre, ou 4 joueurs peuvent jouer (2 joueurs par équipe).
- Pour déterminer quelle équipe va démarrer le jeu, jouez « à pile ou face ». Le vainqueur du « pile ou face » commencera le jeu en lançant le ballon au milieu du terrain.
- Le premier joueur qui obtient le score convenu gagne !

**REGLES DU JEU**

- Les joueurs doivent frapper le palet avec les percuteurs à main ou avec les crosses de hockey et tenter de le lancer dans les buts de l'adversaire.

- Si vous jouez en équipe, les joueurs ne peuvent plus changer de position une fois que le ballon est en jeu.
- Lors d'un match, les équipes changent de côté après chaque jeu.
- Secouer intentionnellement la table n'est pas permis.
- Toucher le terrain de jeu durant le jeu n'est pas permis sauf pour enlever un palet annulé.

**PALET ANNULÉ**

- Un palet arrêté ou coincé entre deux joueurs adversaires devra être retiré et le palet sera alors remis en jeu en le plaçant sur la surface de jeu.

**HORS JEU**

- Un palet quittant le terrain de jeu (autrement que par les buts) devra être remis en jeu en le plaçant sur la surface de jeu.

**5) PING PONG (5en1, 7en1, 9en1)****GAGNER LE JEU**

- Pour déterminer qui va démarrer le jeu, jouez « à pile ou face ». Le vainqueur du « pile ou face » commencera le jeu en servant la balle.
- Le jeu se gagne en 21 points sauf si les deux joueurs / paires de joueurs atteignent un score de 20 points. Dans ce cas, le gagnant est le premier joueur/première paire à marquer 2 points de plus que le joueur/la paire adverse.
- Un match est un jeu composé de trois ou cinq manches. Chaque joueur peut demander un repos de 2 minutes entre chaque jeu consécutif.

**REGLES DU JEU**

- Ordre de jeu – Simple – Le serveur de la balle fait un bon service et l'adversaire fait un bon retour. Et le jeu consiste en ces retours l'un après l'autre.
- Ordre de jeu – Double – Le serveur de la balle fait un bon service et l'adversaire fait un bon retour. Et le jeu consiste en ces retours l'un après l'autre.
- Service – Simple – Le serveur commence avec la balle dans sa main. Puis il lance la balle en l'air puis frappe la balle avant qu'elle ne touche la table. Une fois la balle frappée, elle doit toucher la table du côté du serveur puis passer par-dessus le filet et toucher la partie droite de l'adversaire ou toucher la ligne centrale. Si la balle n'est pas envoyée et qu'elle touche la table, le serveur perd un point.
- Service – Double - Le serveur commence avec la balle dans sa main. Puis il lance la balle en l'air puis frappe la balle avant qu'elle ne touche la table. Une fois la balle frappée, elle doit toucher la table du côté du serveur puis passer par-dessus le filet et toucher la partie droite de l'adversaire ou toucher la ligne centrale. Si la balle n'est pas envoyée et qu'elle touche la table, le serveur perd un point.
- Retour – Une fois que la balle a été servie, l'adversaire doit frapper la balle afin qu'elle repasse directement au-dessus du filet et toucher la partie de table de l'adversaire. Si la balle retournée touche le filet, la balle est considérée bonne.
- Changement de côté – Le joueur / la paire qui a servi d'un côté devra servir la prochaine fois de l'autre côté. Le joueur / la paire devra permuter de côté à chaque service jusqu'à la fin du match.

**HORS JEU**

- La balle rebondit deux fois du même côté.
- La balle a roulé.
- La balle touche le joueur à un autre endroit que la raquette ou sur la raquette sous le poignet.
- La balle touche tout autre objet que la table/le filet/le support/la raquette ou sur la raquette sous le poignet.
- La balle est frappée plusieurs fois par le même joueur.
- En double, la balle touche le côté gauche du serveur/récepteur.
- La balle est coincée par un joueur.

**LET**

- Lorsqu'un joueur sert une balle et que l'adversaire n'est pas prêt (un joueur peut ne pas être considéré comme non prêt s'il frappe la balle en retour).

- Le jeu est interrompu si l'ordre du jeu n'est pas respecté.

### **6) BLACKJACK (7en1, 9en1)**

#### **LE JEU**

- Le but du jeu est d'obtenir des points de cartes dont le total est plus proche de "21" que le donneur sans les dépasser.
- Le donneur commence par donner deux cartes à chaque joueur et une carte à lui-même.
- Lorsque tous les joueurs ont deux cartes, le donneur demande à chacun s'il désire une carte supplémentaire jusqu'à ce qu'un joueur « dépasse » (lorsque le total des points est plus de 21) ou qu'il indique qu'il préfère « rester » (garde le total des points des cartes données).
- Lorsque tous les joueurs ont terminé leur main, c'est le tour du donneur.
- Le donneur a des règles qui déterminent son jeu ; le donneur prendra une carte lorsque le total de ses cartes est  $\leq 16$ , et il restera lorsque le total de ses cartes est d'au moins 17.
- Une fois que le donneur a terminé sa main, en assumant qu'il ne « dépasse » pas, il payera ses mises, récupèrera ses mises ou en cas d'égalité, remboursera le joueur de sa mise.
- Les joueurs ajouteront leurs gains, s'ils en ont, à leur compte et feront une nouvelle mise pour lancer un nouveau jeu/main.
  - Les cartes sont comptées comme suit:
    - L'As compte 1 ou 11
    - Le Valet, la Reine, le Roi compte 10.
    - Toutes les autres cartes ont la valeur qui est indiquée.

### **7) CRAPS (7en1, 9en1)**

#### **LE JEU**

- Le craps est un jeu de chance et est joué avec une paire de dés lancés par le tireur.
- Le but du jeu est de parier si le tireur fera rouler des dés avec une combinaison gagnante.
- Le premier roulement de dés (la phase d'entrée), le tireur gagne en obtenant un 7 ou un 11.
- Un roulement de Craps (2, 3, ou 12) perd.
- Tout autre nombre (4, 5, 6, 8, 9, ou 10) est appelé le point et amène le jeu à la phase du point.
- Pour gagner, le nombre du point doit être roulé de nouveau avant qu'un 7 soit obtenu. Cette phase gagnante est aussi appelée passer.
- Si un 7 est obtenu avant le nombre du point, le tireur est alors « out seven » et perd.

### **8) BOWLING (9en1)**

#### **LE JEU**

- Le jeu est composé de 10 quilles et 10 frames.
- Un joueur lance deux boules pour chacun des 9 frames sauf si un STRIKE est obtenu.
- Pour le 10<sup>ème</sup> frame, le joueur lance trois boules si un STRIKE ou un SPARE est obtenu.
- Chaque frame doit être terminé par un joueur lançant ses boules dans un ordre régulier.
- Sauf si un STRIKE est obtenu, le nombre de quilles renversées par le premier lancer du joueur doit être marqué à côté du petit carré dans le coin supérieur à droite de ce frame. Le nombre de quilles renversées par le second lancer du joueur doit être marqué dans le petit carré.
- Si aucune quille n'est renversée par le second lancer, la feuille de score doit être marquée d'un (-). Le compte des deux lancers du frame doit être enregistré immédiatement.
- Strike – Un Strike est obtenu lorsque les 10 quilles sont renversées au premier lancer. Celui est marqué avec un (x) dans le petit carré dans le coin supérieur à droite de ce

frame. Le compte pour un strike est de 10 points plus le nombre de quilles renversées lors des deux lancers suivants du joueur.

- Triple/Turkey – Trois strikes successifs forment un triple ou un turkey. Le compte pour le premier strike est 30. Le score maximum est de 300 si le joueur obtient 12 strikes consécutifs.
- Spare – Un spare est effectué lorsque le second lancer renverse toutes les quilles restantes et la feuille de score sera marquée par un (/). Le compte d'un spare est de 10 points plus le nombre de quilles renversées lors du second lancer.

### **9) SHUFFLEBOARD - PALET AMERICAIN (9en1)**

#### **GAGNER LE JEU**

- Le shuffleboard peut être joué par un joueur ou par deux joueurs.
- Pour déterminer quel joueur va démarrer le jeu, jouez « à pile ou face ». Le vainqueur du « pile ou face » choisira sa couleur.
- Démarrez le jeu en lançant le disque rouge en premier. Les joueurs jouent à tour de rôle, le rouge (du côté droit à l'avant du plateau/côté gauche en bas du plateau) puis le noir jusqu'à ce que tous les disques soient lancés.
- Le score final est de 50/75 ou sur une base de 100 points.

#### **REGLES DU JEU**

- Les joueurs placent leurs disques sans qu'ils se touchent mais à l'intérieur des lignes de leur moitié respective.
- Une pénalité de 5 points peut être appliquée – mais ne peut être appliquée tant que tous les disques ne sont pas lancés.
- Le disque doit être compte des disques de l'adversaire a été effectué.
- Aucune pénalité n'est donnée si le disque joué ne touche ni ne se trouve en travers du triangle de séparation. Le jeu doit être continu et réalisé sans hésitation.
- Aucun lancer en courbe n'est permis – le lancer doit être réalisé en ligne droite avec un jet continu en avant du disque.
- Aucune partie du corps du joueur incluant les mains/pieds/genoux ne doit dépasser ou être au-dessus de la ligne de base du terrain ou y de l'extension de la ligne, sauf pour rassembler et placer les disques.

#### **ADRESSE DE SERVICE :**

CARROMCO GmbH & Co. KG

Mühlenweg 144, D-22844 Norderstedt /Allemagne

Tel - +49 (0) 1805 25 63 63

E-Mail: [service@carromco.com](mailto:service@carromco.com)

Site web: [www.carromco.com](http://www.carromco.com)

A conserver pour toute future référence

FABRIQUE EN CHINE



**¡ATENCIÓN!** No conviene a los niños menores de 36 meses. Contiene piezas pequeñas et bolitas pequeñas, que podrían ser tragados o inhalados por niños pequeños. Riesgo de asfixia! Los niños no deben jugar nunca con ellos sin la supervisión de un adulto. A montar por un adulto. Rogamos guarden esta advertencia. El uso adecuado de este juego de mesa puede evitar daños o lesiones.

**Gracias por la compra de su nuevo juego de mesa “CARROMCO”.**

Esperamos que con este producto usted pueda disfrutar de muchas horas de diversión con su familia y amigos. Asegúrese de conservar este manual de instrucciones para futuras consultas. Tome nota también de su número de modelo (como se detalla en la primera página de este manual, así como en el panel del código de barras de la etiqueta de color situada en la parte delantera del embalaje de cartón) ya que esta información será necesaria en caso de que necesite ponerse en contacto con nosotros para consultar cualquier cuestión acerca del producto.

Antes de proceder con el montaje de este juego de mesa, lea detenidamente el manual de instrucciones y familiarícese con todas las piezas del producto, pasos de montaje y directrices. Se recomienda que el montaje de este juego de mesa se lleve a cabo por dos adultos dado que, de este modo y debido al tamaño del producto, será mucho más fácil. Consulte la sección “Identificador de piezas” en las páginas siguientes y asegúrese de que se hayan incluido todas las piezas del juego de mesa.

NOTA – Si echa en falta alguna pieza del mismo o si tiene cualquier pregunta, no devuelva el juego a la tienda y llame o póngase en contacto con el Servicio de atención al cliente (como se indicó anteriormente). Nos esforzaremos en ayudarle ante cualquier duda que pueda tener.

**HERRAMIENTAS NECESARIAS PARA EL MONTAJE:**

- 1 destornillador plano
- 1 destornillador de estrella
- 1 llave Allen (incluida)
- 1 llave de Tuercas (incluida)

**MANTENIMIENTO DE LA MESA:**

- **MESA:** Mantenga la mesa cubierta. Si hay polvo sobre el campo de juego o sobre los laterales, utilice un aspirador o elimínelo con un paño limpio y suave. No sentarse sobre la mesa y no utilizarla en exteriores.
- **BARRAS:** Asegúrese de que los pernos y tornillos de los jugadores estén apretados. Limpie periódicamente las barras con un paño suave y limpio. Nunca eleve la mesa tirando de las barras. No haga girar las barras demasiado bruscamente, ya que se podrían producir daños. Recomendamos el uso de lubricante 100% silicona para engrasar los cojinetes, y hacerlo desde el exterior de la mesa de manera que no gotee sobre el campo de juego.
- **PATAS:** Compruebe que los pernos de las patas estén apretados. Cuando mueva la mesa, sáquela de las patas hacia arriba y colóquela luego de nuevo directamente sobre las patas; no arrastre la mesa (y no la levante agarrando de las barras).

**DESHECHO DEL MATERIAL:** Llegado el momento, utilice una agencia privada u oficial para desechar la mesa. Siga las normativas oficiales vigentes en ese momento. Póngase en contacto con la agencia de reciclaje para resolver cualquier duda. Si tiene cualquier duda o necesita ayuda con el montaje de este juego, no dude en contactar con el Servicio de atención al cliente (como se indicó anteriormente) y nosotros nos esforzaremos en ayudarle ante cualquier duda que pueda tener.

**¡Diviértase con su juego de mesa “CARROMCO”!**

**RULES**

**1) BILLAR (5en1, 7en1, 9en1)**

**NORMAS DEL JUEGO**

- La bola blanca se coloca detrás de la línea de cabeza y el jugador debe, bien entronerar una bola, bien dirigir cuatro bolas contra las bandas de la mesa. Si el jugador no consigue realizar una apertura correcta, el oponente tiene la opción de jugar las bolas en su posición o colocar las bolas en el triángulo y realizar el tiro de apertura de nuevo.
- Bolas entroneradas en el tiro de apertura – El jugador continúa en la mesa y puede escoger las bolas de colores sólidos o las rayadas.
- Bola 8 entronerada en el tiro de apertura – El jugador continúa en la mesa y puede reponer la bola 8, continuar jugando o volver a iniciar el juego.
- Entronerada la bola blanca en el tiro de apertura: Cuando se entronera la bola blanca en la primera jugada, se entroneran todas las bolas excepto la bola 8 y la mesa queda abierta. El oponente tiene la bola de contacto en su mano y puede colocarla en cualquier lugar detrás de la línea de cabeza y tirar a cualquier bola que no esté detrás de ella.
- Después de la jugada inicial, independientemente de si se ha entronerado alguna bola, la mesa está abierta.
- El jugador puede escoger entre bolas rayadas o lisas, determinadas por la bola siguiente que entrone. RECUERDE: Los jugadores deben indicar cada jugada por adelantado, indicando bola y tronera. En caso contrario, se pierde un turno.
- Para realizar un tiro legal, la primera bola debe golpear una de las bolas del grupo del jugador (rayadas o lisas). Debe entronerarse la bola de contacto o la bola blanca, o entrar en contacto con la banda de la mesa. RECUERDE: Una jugada legal da a la bola blanca antes de golpear otra.

**FUERA DE JUEGO**

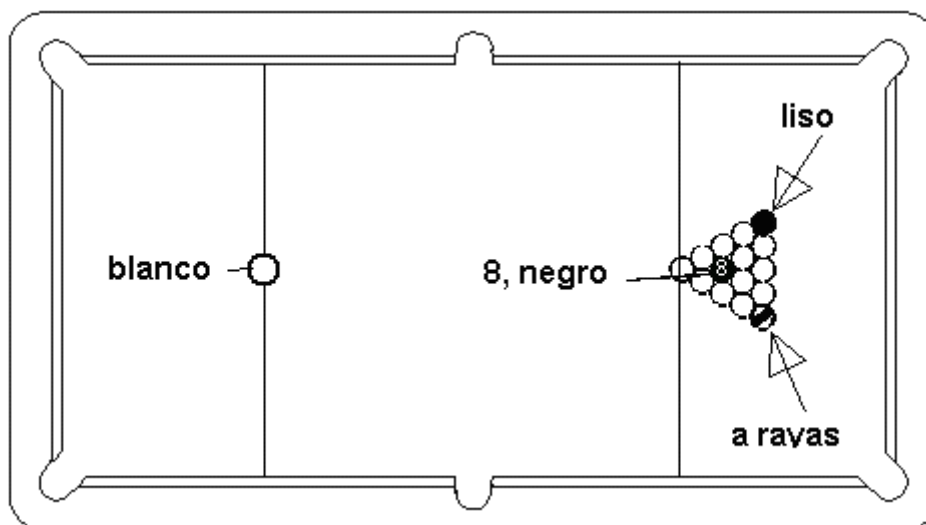
- Falta al entronerar la bola 8.
- Entronerar la bola 8 en el mismo tiro que la última bola de su grupo.
- Si se entrona la bola 8 en una tronera distinta a la designada.
- Entronerar la bola 8 cuando todavía quedan bolas de su grupo.
- Entronerar la bola 8 y la blanca en el mismo tiro.
- Hacer saltar la bola 8 de la mesa.

**FALTA**

- El oponente se hace con la bola de contacto. El jugador puede colocar la bola blanca en cualquier lugar de la mesa (detrás de la línea de cabeza, solo en la jugada de apertura).

**COLOCACIÓN**

- Una bola se coloca en la línea larga tan cerca del punto de pie como sea posible.





**2) FUTBOLÍN (5en1, 7en1, 9en1)****GANADOR DEL JUEGO**

- Pueden participar 2 ó 4 jugadores (2 jugadores por cada equipo).
- Para determinar quién comienza el juego "tira una moneda al aire". El ganador comienza lanzando la bola al centro del campo de juego.
- El primer jugador que alcance la puntuación acordada gana.

**REGLAS DEL JUEGO**

- Pasar la bola y marcar un gol se logra empujando/tirando de las barras y girando los puños.
- Hacer girar las barras de jugadores puede ser legal o no (esto depende de la elección o del acuerdo entre los jugadores antes de comenzar el juego).
- Si está jugando por equipos, los jugadores no pueden cambiar sus posiciones después de que se lance la bola.
- Durante el juego, los equipos cambian de lado después de cada partida.
- Mover o inclinar el futbolín es ilegal.
- Tocar el campo durante el juego es ilegal excepto para recuperar una Bola Muerta.

**BOLA MUERTA**

- Una bola que se pare o se quede entre dos jugadores contrarios debe recuperarse y se vuelve a poner en juego a través de una de las dos entradas de bola.
- Cualquier bola que se pare entre jugadores del mismo equipo se deberá poner en juego nuevamente soltándola desde la esquina más cercana al campo donde esté detenida.

**FUERA DE JUEGO**

- Cuando una bola salga fuera del campo de juego (aparte de cuando entre en las porterías) debe volverse a poner en juego a través de una de las entradas de bola.

**3) + 4) HOCKEY DE MESA DE EMPUJE (5en1, 7en1, 9en1)****GANAR EL JUEGO**

- Pueden competir 2 o 4 jugadores (2 jugadores a cada extremo de la mesa de juego).
- Para determinar quién comenzará a jugar, se echa una moneda al aire. El ganador comienza el juego colocando el disco en el campo de juego.
- El primer jugador que alcance la puntuación acordada gana.

**NORMAS DEL JUEGO**

- Los jugadores deben golpear el disco con los impulsores de hockey manuales o los palos de hockey e intentar lanzarlo en la portería del oponente.
- Si juegan como equipos, los jugadores no pueden cambiar posiciones después del inicio del juego.
- En juegos de partidos, los equipos cambian de lado después de cada partido.
- No es legal inclinar la mesa de modo intencionado.
- No es legal agarrar nada con la mano en la superficie de juego, excepto para recuperar un disco muerto.

**DISCO MUERTO**

- Un disco que se para o queda atascado entre dos oponentes debe recuperarse, y se devuelve al juego colocándolo sobre la superficie de juego.

**FUERA DE JUEGO**

- Si un disco sale del área de juego durante el partido (excepto en el caso de los goles), se devuelve colocándolo sobre la superficie de juego.

**5) TENIS DE MESA (5en1, 7en1, 9en1)****GANAR EL JUEGO**

- Para determinar quién comenzará a jugar, se echa una moneda al aire. El ganador comienza el juego sirviendo la bola.
- El jugador o la pareja que alcance 21 puntos primero gana el juego, a no ser que ambos contrincantes hayan obtenido 20 puntos. En este caso, el jugador es el primero que obtiene 2 puntos más que su contrincante.
- Un partido consiste en la disputa continua de los mejores de tres o cinco juegos.

Cualquier jugador puede pedir un periodo de descanso de 2 minutos entre los juegos de la partida.

#### **NORMAS DEL JUEGO**

- Orden de jugada: Individuales: la persona que saca realiza un buen saque y el oponente devuelve bien. A continuación, ambos devuelven bien.
- Orden de jugada: dobles: la persona que saca realiza un buen saque y el oponente devuelve bien. Entonces la pareja de la persona que realizó el saque devuelve bien, y la pareja del contrario devuelve la bola. Cada jugador continúa entonces con devoluciones correctas.
- Saque: Individuales: la persona saca con la pelota en la palma de la mano. Tira la pelota hacia arriba y la golpea antes de que toque la mesa. Después de golpear la pelota, debe tocar la parte de la persona que saca y, a continuación, superar la red y tocar la parte derecha del contrario o la línea blanca central. En caso de que un jugador no golpee la pelota en el saque, perderá un punto.
- Saque: Dobles: la persona saca con la pelota en la palma de la mano. Tira la pelota hacia arriba y la golpea antes de que toque la mesa. Después de golpear la pelota, debe tocar la parte de la persona que saca o la línea blanca central y, a continuación, superar la red y tocar la parte derecha del contrario. En caso de que un jugador no golpee la pelota en el saque, perderá un punto.
- Devolución: una vez realizado el saque, el contrario debe golpear la pelota de modo que pase sobre la red y toque la parte del contrario. Si una pelota que se devuelve toca la red o se apoya al volver, continúa siendo una buena devolución.
- Cambio de lados: el jugador o pareja que comienza el juego en un lado comienza el siguiente en el extremo opuesto. Los jugadores o parejas continúan cambiando de lado hasta el final del partido.

#### **FUERA DE JUEGO**

- La pelota toca dos veces la misma parte de la pista.
- La pelota se ha voleado.
- La pelota entra en contacto con el jugador en algo que no sea la raqueta o la mano de la raqueta por debajo de la muñeca.
- La pelota toca cualquier objeto diferente a la superficie de juego, el soporte, la red o la raqueta, o la mano de la raqueta por debajo de la muñeca.
- Un jugador golpea dos veces la pelota.
- En dobles, si la pelota toca el campo de la persona que realiza el saque o el receptor en la esquina izquierda.
- Si el jugador golpea la pelota fuera de turno.

#### **SAQUE**

- Cuando un jugador realiza el saque y el oponente no está preparado (no puede considerarse un jugador como no preparado si no golpean la pelota).
- Se interrumpe el juego debido a la corrección del orden de juego.

### **6) BLACKJACK (7en1, 9en1)**

#### **EL JUEGO**

- El objetivo del juego es obtener los puntos más cercanos al 21 que el de la persona que reparte, sin superarlos.
- La persona que reparte da dos cartas a cada jugador y una a sí misma.
- Cuando todos los jugadores tienen sus dos cartas, la persona que reparte pregunta a todos si alguien quiere más cartas, hasta que el jugador supera los puntos totales de 21 o indica que se planta (es decir, desea mantener el número de cartas actual).
- Cuando todos los jugadores han terminado su mano, es el turno del que reparte.
- La persona que reparte tiene normas que determinan su juego y le indican que tomará una carta cuando su total sea  $\leq 16$  y se plantará cuando tenga una puntuación de al menos 17.

- Después de que la persona que reparte ha terminado su mano, asumiendo que no se plante, pagará las apuestas con mejores manos, recogerá las apuestas de las peores manos o, en caso de empate, devolverá la apuesta del jugador.
- Entonces los jugadores añaden las ganancias, si las tienen, a sus cuentas, y realizan una nueva apuesta para que se repita el proceso completo de nuevo con una nueva mano.  
Las puntuaciones son:
  - El as equivale a 1 o a 11
  - La sota, el rey y la reina cuentan como 10.
  - Las demás cartas valen el número que indican

### **7) CRAPS (DADOS) (7en1, 9en1)**

#### **EL JUEGO**

- Craps es un juego de suerte y se juega con un par de dados que tira una persona.
- El objetivo es apostar a si la persona que tiró los dados obtendrá una combinación ganadora.
- En la primera tirada de dados (la fase inicial), se gana sacando un 7 o un 11.
- Las puntuaciones 2, 3 o 12, pierden.
- Cualquier otro número (4, 5, 6, 8, 9 o 10) se llama punto y lleva el juego a la fase de puntos.
- Para ganar debe tirarse de nuevo un número de puntos ante de tirar un 7. Ganar se conoce también como pasar.
- Si se obtiene un 7 antes del número de puntos, la persona que tira los dados ha obtenido demasiados sietes y pierde.

### **8) BOLOS (9en1)**

#### **JUEGO**

- El juego consiste en 10 bolos y 10 jugadas.
- Un jugador tira dos bolas en cada una de los 9 primeras jugadas a no ser que se obtenga un PLENO.
- En el FRAME 10, un jugador tira tres bolsas, sólo si se obtiene un PLENO o SEMIPLENO.
- Cada jugador debe completar cada jugada en orden regular.
- Excepto en el caso de que se obtenga un pleno, el número de bolos tirados por el primer tiro del jugador se marca al lado del recuadro en la esquina superior derecha de esa jugada. El número de bolos tirados por la segunda tirada se marca en el interior del recuadro.
- Si ninguno de los bolos en pie cae en la segunda tirada, la puntuación se marca como (-). Se registrará inmediatamente la puntuación de las dos tiradas en la jugada.
- Pleno: Se obtiene un pleno cuando caen los 10 bolos con la primera tirada de una jugada. Se marca con una «x» en el pequeño recuadro en la esquina superior derecha de la jugada donde se hizo. La puntuación para un pleno es 10 más el número de bolos caídos en las siguientes dos jugadas.
- Triple: Tres plenos sucesivos constituyen un triple. Los puntos de la primera jugada son 30. Para alcanzar la puntuación máxima de 300, el jugador debe obtener 12 plenos sucesivos.
- Semipleno: Un semipleno se obtiene cuando la segunda tirada hace caer todos los bolos en pie y la puntuación se marca con un (/). Los puntos de esa jugada son 10 más los bolos que caigan en la tirada siguiente.

### **9) SHUFFLEBOARD (juego del tejo o la herradura) (9en1)**

#### **GANAR EL JUEGO**

- Shuffleboard puede jugarse con un jugador o por parejas.
- Para determinar quién comenzará a jugar, se echa una moneda al aire. El ganador

escoge el color.

- El juego se inicia con un tiro de disco rojo primero. El juego alterna rojo (de la parte derecha en la cabecera del tablero, izquierda en el pie) y, a continuación, negro, hasta que se lanzan todos los discos.
- La puntuación se completa con 50/75 o con 100 puntos.

#### LAS REGLAS DEL JUEGO

- Los jugadores colocan sus discos sin tocarse, pero en las líneas de su mitad respectiva de juego de descuento de 10 puntos.
- Se aplica un descuento de 5, que no se aplica a un jugador hasta que no ha jugado un disco.
- El disco debe jugarse desde la parte delantera vacía en la mitad respectiva del área de descuento de 10.
- Si el disco toca las líneas delantera o trasera de la superficie de juego, se aplica un descuento de 5 puntos.
- Si el disco toca la línea lateral o el triángulo, se aplica un descuento de 10 puntos. En este momento se retira el disco del jugador en falta y se le da a su oponente cualquier disco que se haya desplazado.
- Todos los discos desplazados se retirarán de la pista inmediatamente después de la puntuación de los discos desplazados del contrario.
- No se aplica ningún descuento si el disco que está en juego COMENZÓ sin puntos y tocó o cruzó el triángulo de separación. El juego debe ser continuo y sin dudas.
- No se aplicará ningún tiro en curva: el tiro debe realizarse en línea recta breve con un flujo continuo hacia delante del disco.
- Ninguna parte del cuerpo de los jugadores, incluyendo mano, pie o rodilla, debe subir por encima o colocarse en la línea base del terreno de juego o en la extensión de la línea base, excepto para recoger y colocar sus discos.

#### **DIRECCIÓN DE SERVICIO:**

CARROMCO GmbH & Co. KG  
Mühlenweg 144, D-22844 Norderstedt /Alemania  
Tel +49 (0)1805 25 63

Correo electrónico: [service@carromco.com](mailto:service@carromco.com)

Sitio web: [www.carromco.com](http://www.carromco.com)

Consérvese para referencia futura  
FABRICADO EN CHINA



**AVVERTENZE!** Non adatto a bambini di età inferiore a 36 mesi. Presenza di piccoli elementi e piccole sfere, che potrebbero essere ingeriti o inalati. Rischio di soffocamento! Da usare sotto il diretto controllo di un adulto. Deve essere montato da un adulto. Conservate bene queste informazioni. L'uso corretto di questo tavolo da gioco evita danni e/o lesioni.

**Complimenti per aver acquistato il nuovo tavolo da gioco "CARROMCO"!**

Speriamo che trascorrerete molte ore divertenti con famiglia e amici con questo prodotto. Conservare questo Manuale di Istruzioni per eventuali riferimenti futuri! Annotate anche il numero del modello (come riportato sulla copertina del manuale e anche sul codice a barre dell'etichetta colorata sul pannello frontale del cartone di imballaggio) in quanto questa informazione è necessaria in caso ci dobbiate contattare per eventuali richieste sul prodotto.

Prima di montare il tavolo leggere attentamente il manuale di istruzioni e familiarizzarsi con le parti del prodotto, le fasi di montaggio e le linee guida. Raccomandiamo di montare il tavolo con due adulti in quanto in tal modo il montaggio sarà molto più semplice, viste le dimensioni del prodotto. Fare riferimento all'Identificazione delle Parti nelle pagine seguenti, e assicurarsi che siano contenute tutte le parti del tavolo.

**NOTARE CHE** – Se manca una parte o se avete domande, non restituite il tavolo al negozio, chiamate o contattate il Servizio Clienti (vedi sopra), faremo del nostro meglio per assistervi con le domande che ci porrete.

**UTENSILI NECESSARI PER IL MONTAGGIO**

- 1 x Cacciavite a taglio
- 1 x Cacciavite a stella
- 1 x Chiave a brugola (In dotazione)
- 1 x Chiave Inglese (in dotazione)

**MANTENIMENTO TAVOLO**

- **TAVOLO:** il tavolo del gioco deve essere sempre libero dalla polvere. Usate per la cura un panno morbido. Assicuratevi che le viti siano fissate adeguatamente alle gambe del tavolo. Se doveste avere domande o se avete bisogno di assistenza per il montaggio del tavolo, non esitate a contattare il Servizio Clienti (vedi sopra), faremo del nostro meglio per assistervi con le domande che ci porrete.
- **STECCHES:** assicurarsi che i bulloni e le viti siano avvitati in modo sicuro. Pulite le stecche con un panno morbido. Non lasciare mai le stecche sul tavolo. Consigliamo di usare un prodotto al silicone per la cura in modo che la superficie del tavolo non venga danneggiata.
- **GAMBE:** assicurarsi che le viti siano avvitate in modo corretto. Se spostate il tavolo riposizionatelo con un movimento contemporaneo sulle quattro gambe, non scrollatelo e non dare colpi con le stecche.

**IMMAGAZZINAMENTO:**

Tenere il tavolo da gioco in un posto asciutto e ben arioso.

**SMALTIMENTO:**

Eliminate il tavolo gioco in un posto o indirizzo abilitati allo smaltimento. Attenersi alle istruzioni ambientali.

**Buon Divertimento con il tavolo da gioco „CARROMCO“**

**REGOLE DEL GIOCO****1) BILIARDO DA POOL (5in1, 7in1, 9in1)****VINCERE LA PARTITA**

- Nel pool, un giocatore deve puntare alle biglie piene (numeri 1-7).
- Il giocatore avversario a quelle mezze (numeri 9-15).
- Per stabilire chi inizierà la partita, si lancia una moneta. Il giocatore che risulta vincitore in seguito al lancio della moneta può dare inizio alla partita spaccando. Il giocatore che ha perso la partita precedente dovrà spaccare nella nuova partita.
- Un giocatore che ha imbucato una biglia continua a giocare finché non ne imbuca nessuna o commette un fallo.
- Quando un giocatore imbuca tutte le sue biglie (mezze o piene), può utilizzare la biglia 8.
- Vince il primo giocatore che imbuca correttamente le proprie biglie e, in seguito, imbuca la biglia 8.

**REGOLE DEL GIOCO**

- La biglia battente (biglia bianca) si posiziona dietro la linea di testa e il giocatore deve: 1. imbucare una biglia, o 2. far andare quattro biglie sulle sponde del tavolo. Se il giocatore non riesce a effettuare una spaccata valida, l'avversario ha l'opzione di utilizzare le biglie nell'attuale posizione o disporle per effettuare una nuova spaccata.
- Biglie imbucate durante la spaccata: il giocatore rimane al tavolo e può scegliere se utilizzare le biglie mezze o piene.
- Biglia 8 imbucata durante la spaccata: il giocatore resta al tavolo e può decidere se riposizionare la biglia 8, continuare la partita o riposizionare le biglie per effettuare una nuova spaccata.
- Imbucare la biglia battente durante la spaccata: quando la biglia battente (bianca) va in buca durante la spaccata: 1. tutte le biglie, eccetto la 8, devono essere imbucate, 2. il tavolo è aperto, 3. l'avversario ha la biglia battente in mano e può posizionarla in qualsiasi punto dietro la linea di testa e puntare a qualsiasi pallina che non si trovi dietro la linea di testa.
- Dopo aver spaccato, indipendentemente dal fatto che le biglie siano state messe in buca o meno, il tavolo è aperto.
- Il giocatore gioca con le biglie mezze o piene in base alla biglia valida successiva che imbuca.
- NOTA: i giocatori devono indicare in anticipo a quale tipo di biglie punteranno e imbucheranno. In caso contrario, perderanno il turno.
- Per eseguire un colpo valido, la prima biglia colpita deve essere una di quelle del giocatore (mezza o piena). La biglia oggetto deve essere imbucata, oppure la biglia battente (bianca) o qualsiasi biglia oggetto deve entrare in contatto con la sponda del tavolo.
- NOTA: il giocatore può fare in modo che la biglia battente rimbalzi sulla sponda del tavolo prima di entrare in contatto con la sua biglia oggetto; ad ogni modo, dopo il contatto con la sua biglia oggetto, una biglia oggetto deve essere imbucata, OPPURE deve essere imbucata la biglia battente.

**AZIONI NON CONSENTITE**

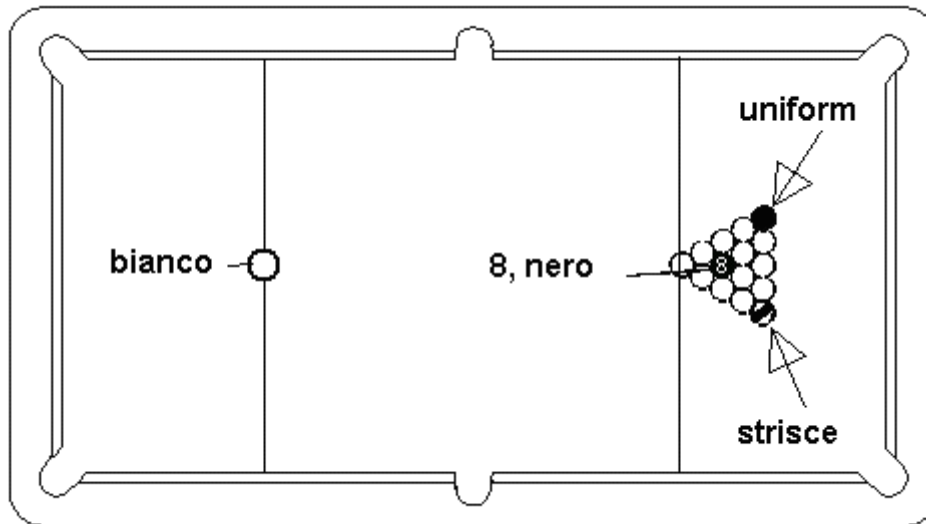
- Falli mentre si imbuca la biglia 8.
- Imbucare la biglia 8 nella stessa partita dell'ultimo gruppo di biglie.
- Imbucare la biglia 8 in una buca diversa da quella alla quale si punta.
- Imbucare la biglia 8 quando non è la biglia oggetto valida.
- Imbucare la biglia battente quando la biglia 8 è quella oggetto.
- Colpi alla biglia 8 fuori dal tavolo.

**FALLO**

- L'avversario ha la "biglia battente in mano". Il giocatore può posizionare la biglia battente (bianca) in qualsiasi punto del tavolo (da dietro la linea di testa solo all'apertura).

**POSIZIONAMENTO**

- Una biglia viene posizionata sulla linea lunga il più vicino possibile al punto piedi.



**2) CALCIO BALILLA (5in1, 7in1, 9in1)**

**VINCERE LA PARTITA**

- Possono giocare uno contro l'altro 2 giocatori o 4 giocatori (2 per ogni squadra).
- Per stabilire chi inizierà la partita, si lancia una moneta. Il giocatore che risulta vincitore in seguito al lancio della moneta dà inizio alla partita lanciando la pallina al centro del campo.
- Vince il primo giocatore che raggiunge il punteggio concordato.

**REGOLE DEL GIOCO**

- Per passare e segnare, è necessario spingere/tirare le stecche e far girare le impugnature.
- Rullare le stecche può essere consentito o meno (ciò dipende da quanto concordato dai giocatori all'inizio della partita).
- Se si gioca in squadra, i giocatori non possono cambiare la propria posizione dopo che la pallina viene servita.
- Durante le partite con più set, le squadre cambiano lato dopo ogni set.
- Non sono consentiti i colpi intenzionali al tavolo di qualsiasi entità.
- Non è consentito introdurre le mani nel campo di gioco per recuperare una palla morta.

**PALLA MORTA**

- Una palla che si ferma o rimane bloccata tra due giocatori avversari deve essere recuperata e rimessa in gioco attraverso una delle fessure.
- Se una palla si ferma tra due giocatori della stessa squadra, essa deve essere rimessa in gioco nell'angolo più vicino del campo di gioco e rilasciata.

**AZIONI NON CONSENTITE**

- Una palla che esce dal campo durante la partita (che non sia passata per la porta) deve essere rimessa in campo da una delle fessure.

**3) + 4) HOCKEY DA TAVOLO E HOCKEY SU GHIACCIO (5in1, 7in1, 9in1)**

**VINCERE LA PARTITA**

- Possono giocare uno contro l'altro 2 giocatori o 4 giocatori (2 giocatori per ogni lato del tavolo di gioco).
- Per stabilire chi inizierà la partita, si lancia una moneta. Il giocatore che risulta vincitore in seguito al lancio della moneta dà inizio alla partita posizionando il disco sul campo di gioco.
- Vince il primo giocatore che raggiunge il punteggio concordato.

**REGOLE DEL GIOCO**

- I giocatori devono colpire il disco con gli accessori per spingere il disco o con le mazze da hockey portatili e cercare di farlo arrivare nella porta avversaria.
- Se si gioca in squadra, i giocatori non possono cambiare la propria posizione dopo l'inizio della partita.
- Durante le partite con più set, le squadre cambiano lato dopo ogni set.

- Non sono consentiti i colpi intenzionali al tavolo.
- Non è consentito introdurre le mani nel campo di gioco per recuperare un disco morto.

**DISCO MORTO**

- Un disco che si ferma o rimane bloccato tra due giocatori avversari deve essere recuperato e rimesso in gioco posizionandolo sulla superficie di gioco.

**AZIONI NON CONSENTITE**

- Un disco che esce dal campo di gioco durante la partita (che non sia passato per la porta) deve essere rimesso in campo posizionandolo sulla superficie di gioco.

**5) TENNIS DA TAVOLO (5in1, 7in1, 9in1)****VINCERE LA PARTITA**

- Per stabilire chi inizierà la partita, si lancia una moneta. Il giocatore che risulta vincitore in seguito al lancio della moneta può dare inizio alla partita servendo la palla.
- Vince la partita il primo giocatore o la prima coppia che totalizza 21 punti, a meno che entrambi i giocatori/le coppie non abbiano raggiunto i 20 punti. In questo caso, il vincitore è il primo giocatore/la prima coppia che totalizza 2 punti in più del giocatore o della coppia avversaria.
- Un incontro è costituito da set continui al meglio di tre o di cinque. Qualsiasi giocatore può richiedere un riposo di 2 minuti tra due set consecutivi dello stesso incontro.

**REGOLE DEL GIOCO**

- Ordine di gioco – Singolo: il giocatore che serve la palla esegue un servizio valido e l'avversario effettua un rinvio valido. Sia chi esegue il servizio che l'avversario, in seguito, effettueranno un rinvio valido.
- Ordine di gioco – Doppio: il giocatore che serve la palla esegue un servizio valido e l'avversario effettua un rinvio valido. In seguito, il partner del giocatore che ha effettuato il servizio esegue un rinvio valido e gli avversari rinviano la pallina. Ogni giocatore, quindi, continua con rinvii validi.
- Servizio – Singolo: il giocatore che effettua il servizio inizierà tenendo la palla nel palmo della mano. Lancia la palla in alto e la colpisce prima che tocchi il tavolo. Dopo aver colpito la palla, essa deve toccare prima il campo del giocatore che ha effettuato il servizio, quindi deve passare sulla rete e toccare la parte destra del campo avversario o la linea centrale bianca. Se un giocatore non riesce a colpire la palla durante il servizio, perde un punto.
- Servizio – Doppio: il giocatore che effettua il servizio inizierà tenendo la palla nel palmo della mano. Lancia la palla in alto e la colpisce prima che tocchi il tavolo. Dopo aver colpito la palla, essa deve toccare prima la parte destra del campo dei giocatori che hanno effettuato il servizio o la linea centrale bianca, quindi deve passare sulla rete e toccare il campo avversario. Se un giocatore non riesce a colpire la palla durante il servizio, perde un punto.
- Rinvio: quando la palla è stata servita, l'avversario deve colpirla in modo che sia rinviata direttamente passando sulla rete e tocchi il campo avversario. Se una palla rinviata tocca la rete o i supporti durante il rinvio si considera comunque un rinvio valido.
- Cambio campo: il giocatore/la coppia che dà inizio a un set in una parte del campo, inizierà il prossimo set nella parte opposta. I giocatori/le coppie continuano a cambiare campo fino alla fine dell'incontro.

**AZIONI NON CONSENTITE**

- La palla tocca consecutivamente la stessa parte di campo.
- La palla viene colpita al volo.
- La palla tocca il giocatore in qualsiasi punto diverso dalla racchetta, oppure la racchetta del giocatore si trova sotto il livello del polso.
- La palla tocca qualsiasi oggetto diverso dal campo, dalla rete o dalla racchetta, oppure la racchetta del giocatore si trova sotto il livello del polso.
- La palla viene colpita due volte da un giocatore.
- Negli incontri doppi, la palla tocca l'angolo sinistro del campo di chi ha servito/rinviato.
- La palla viene colpita da un giocatore quando non è il suo turno.

**AZIONI CONSENTITE**

- Quando un giocatore serve la palla e l'avversario non è pronto (un giocatore non può essere considerato non pronto se colpisce la palla).
- Il gioco viene interrotto per una correzione dell'ordine di gioco.



**6) BLACK JACK (7in1, 9in1)****IL GIOCO**

- Lo scopo del gioco e' avere piu' punti della banca senza superare i „21“ punti.
- Ad ogni giocatore vengono date 2 carte, la banca (l'avversario) prende 1 carta
- Dopo che sono state date le carte, il giocatore decide se comprarne altre oppure no. Si possono comprare carte fino a "sballare" nel punteggio quindi raggiungendo piu' di "21" punti. Oppure ci si ferma prima e si tengono le carte comprate.
- Dopo che sono state divise le carte, tocca a chi le da'.
- Per chi da' le carte valgono delle regole ben precise: se l'ultimo giocatore al tavolo non vuole piu' comprare carte, vengono date alla banca cosi' tante carte fino a quando questa ha raggiunto 17 oppure piu' punti.
- Dopo che chi ha dato le carte ha finito la sua mano e non ha sballato, paga chi ha avuto la mano migliore, raccoglie le puntate di chi ha avuto una brutta mano oppure in caso di pareggio rida' ai giocatore le puntate fatte.
- I giocatori sommano le puntate vinte a loro vantaggio e offrono di nuovo, mentre il Black Jack continua con un nuovo giro per meglio dire una nuova mano.  
Così si contano le carte
  - L'asso vale 1 oppure 11
  - La Donna, il Re e il Fante valgono 10
  - Le altre carte valgono il valore che rappresentano

**7) CRAPS (7in1, 9in1)****IL GIOCO**

- Craps e' un gioco di fortuna, che viene giocato con un paio di dadi, che vengono "gettati" da giocatori.
- La meta e' scommettere se il giocatore getta i dadi, raggiungendo una combinazione di punteggio vittoriosa.
- Nel primo giro che si fa (chiamato „Come Out“) vince chi getta un 7 oppure un 11.
- Si perde con un 2, 3 oppure 12 (Craps)
- Qualsiasi altro risultato (4, 5, 6, 8, 9, oppure 10) viene chiamato „Point“ e il giocatore che getta questi numeri deve tirare ancora una volta (Point Phase)
- Da questo momento in avanti si puo' solo vincere se viene raggiunto ancora una volta il risultato Point e questo indipendentemente dai volte che si tirano i dadi. La vincita viene anche chiamata "Passing"
- Solo con un 7 tirato prima del Point si perde (Sevens-out).

**8) BOWLING (9in1)****GIOCO**

- Il gioco è costituito da 10 birilli e 10 turni.
- Un giocatore lancia due palle in ognuno dei primi 9 turni, a meno che non faccia STRIKE.
- Nel decimo turno, un giocatore lancia tre palle solo se fa STRIKE o SPARE.
- Ogni giocatore deve completare ogni turno giocando secondo l'ordine stabilito.
- Eccetto quando si fa STRIKE, il numero di birilli abbattuti dalla prima palla del giocatore deve essere segnato accanto alla casella nell'angolo in alto a destra relativa al turno in questione. Il numero di birilli abbattuti da un giocatore al secondo tiro deve essere segnato all'interno della casella.
- Se non viene abbattuto nessun birillo entro il secondo tiro, il tabellone presenterà un segno (-). Il punteggio relativo ai due tiri di un turno sarà indicato immediatamente.
- Strike: si fa strike quando vengono abbattuti 10 birilli al primo tiro di un turno. Ciò si indica con una (x) nella casella nell'angolo in alto a destra relativa al turno in cui è stato fatto. Uno strike vale 10 punti più il numero di birilli abbattuti durante i due tiri successivi dello stesso giocatore.
- Triple/Turkey: gli strike successivi sono chiamati triple o turkey. Il punteggio totale relativo al primo strike è di 30. Per raggiungere il punteggio massimo di 300, il giocatore deve effettuare 12 strike di seguito.

- Spare: si effettua uno spare quando al secondo tiro si abbattono i birilli che rimangono in piedi; sul tabellone si indica con il segno (/). Il punteggio relativo a uno spare è di 10 più i birilli abbattuti con il tiro successivo.

### **9) SHUFFLEBOARD (9in1)**

#### VINCERE LA PARTITA

- Lo shuffleboard si può giocare singolarmente o in coppia.
- Per stabilire chi inizierà la partita, si lancia una moneta. Il giocatore che risulta vincitore in seguito al lancio della moneta può scegliere il colore con cui giocare.
- La partita inizia lanciando un disco rosso. Si gioca alternando il rosso (dal lato destro del campo se si considera il lato testa, da quello sinistro se si considerano il lato piedi del campo) e il nero, finché tutti i dischi non vengono lanciati.
- Per quanto riguarda in punteggio, si può arrivare a 50/75 o si può calcolare in base 100.

#### REGOLE DEL GIOCO

- I giocatori posizionano i propri dischi, senza nessun contatto, all'interno delle linee della propria area di gioco 10 off.
- Applicazione della penalità 5 off: non si applicano penalità a un giocatore finché non viene lanciato un disco.
- Il disco deve essere lanciato dalla parte anteriore libera all'interno della propria area di gioco 10 off.
- Se il disco lanciato non tocca la linea anteriore o posteriore del campo di gioco, si applica una penalità 5 off.
- Se il disco lanciato tocca la linea laterale o il triangolo, si applica una penalità 10 off. In questo caso, il disco in questione del giocatore viene rimosso e l'avversario può ricevere il punteggio relativo a qualsiasi disco mosso.
- Tutti i dischi mossi saranno rimossi dal campo immediatamente dopo l'assegnazione del punteggio del disco mosso all'avversario.
- Non viene applicata nessuna penalità se il disco utilizzato è in posizione VALIDA al momento del lancio e tocca o attraversa il triangolo di separazione. Il gioco deve senza dubbio continuare.
- Non sono permessi i lanci curvi, il lancio deve essere eseguito in linea retta e la traiettoria del disco deve essere continua e in avanti.
- Nessuna parte del corpo dei giocatori, comprese mani, piedi e ginocchia, deve superare la linea base del campo di gioco o l'estensione della linea base, se non per raccogliere e posizionare i dischi.

#### **INDIRIZZO DI SERVIZIO:**

CARROMCO GmbH & Co. KG

Mühlenweg 144, D-22844 Norderstedt / Deutschland

Tel.: 49 (0) 1805 25 63 63

E-Mail: [service@carromco.com](mailto:service@carromco.com) Sito-Web: [www.carromco.com](http://www.carromco.com)

Conservare per eventuali riferimenti futuri.

Fabbricato in Cina



**WAARSCHUWING!** Niet geschikt voor kinderen jonger dan 36 maanden. Bevat kleine onderdelen en balletjes, die kunnen worden ingeslikt en/of ingeademd. Verstikkingsgevaar! Kinderen dienen te spelen onder toezicht van volwassenen. Mag door volwassenen gebouwd worden. Bewaar deze informatie. Gelieve alle instructies in deze handleiding grondig te lezen. Een juist gebruik van deze speeltafel zal schade en kwetsuren voorkomen!

**Gefeliciteerd met de aankoop van jouw nieuwe “CARROMCO” speeltafel!**

Wij wensen jou vele uren vermaak met familie en vrienden met dit product. Zorg ervoor dat je deze gebruikshandleiding bewaart als referentiemateriaal voor later! Gelieve ook jouw modelnummer te noteren (zoals aangeduid op de voorpagina van deze handleiding; je kan dit ook vinden op de barcode van het kleurenetiket op het voorpaneel van de kartonnen verpakking) daar deze informatie noodzakelijk is indien je ons wil contacteren met mogelijke vragen over dit product.

Alvorens deze speeltafel te monteren, moet je de gebruikshandleiding grondig lezen en jezelf vertrouwd maken met alle onderdelen van het product, de montageschappen en de richtlijnen. Wij raden aan deze speeltafel met twee volwassenen te monteren daar de montage veel vlotter zal verlopen omwille van de grootte van dit product. Gelieve te verwijzen naar de Onderdelenlijst op de volgende pagina's en te controleren dat alle onderdelen voor de speeltafel aanwezig zijn.

NOTEER AUB – Indien er een onderdeel ontbreekt of indien je vragen hebt, gelieve de tafel niet terug te brengen naar de winkel, maar bel of contacteer onze Klantendienst (zie details hierboven en we zullen onze uiterste best doen om je te helpen met de vragen die je eventueel hebt.

**NODIGE WERKTUIGEN TIJDENS DE MONTAGE**

- 1 x Schroevendraaier
- 1 x Kruiskopschroevendraaier
- 1 x Inbussleutel (Bijgeleverd)
- 1 x Werktuig (bijgeleverd)

**ONDERHOUD VAN DE TAFEL:**

- TAFEL: Bedek de tafel met een laken of plastic vel als deze niet in gebruik is. Als er stof op de tafel of de panelen komt, gebruik een stofzuiger, of maak deze schoon met een schone, zachte doek. Ga niet op de tafel zitten en gebruik deze niet buiten.
- STANGEN: Zorg dat de bouten en schroeven van de spelers vast aangedraaid zijn. Maak de stangen zo nu en dan schoon met een schone, zachte doek. Til de tafel nooit aan de stangen op. Draai de stangen niet met teveel geweld, dit kan schade veroorzaken. We bevelen aan de openingen met 100% siliconenspray te smeren. Doe dit van buiten het speelveld zodat het smeermiddel niet op het speelveld kan komen.
- POTEN: Zorg dat de bouten van de tafel goed vast zitten. Als u de tafel verplaatst, til deze dan aan de poten op en plaats deze met alle vier de poten tegelijkertijd op de grond, sleep de tafel niet over de grond en til deze niet aan de stangen op..

**AFVALVERWIJDERING:** Gooi de tafel weg volgens de plaatselijke of landelijke verordeningen. Houdt er rekening mee dat deze periodiek kunnen veranderen. Neem in geval van twijfel contact op met de verantwoordelijke instantie of recyclingbedrijf.

**Veel plezier met jouw “CARROMCO” Speeltafel!**

## **SPELREGELS**

### **1) BILJART (5in1, 7in1, 9in1)**

#### **HET SPEL WINNEN**

- Bij biljart stoot een speler op de hele ballen (nummers 1 – 7).
- De tegenspeler stoot op de halve ballen (nummers 9 tot 15).
- Om te bepalen wie het spel begint, moet je “een muntstuk opgooien”. Degene die de opgooi wint, zal het spel starten. De verliezer van het vorige spel mag dan het volgende nieuwe spel opstarten.
- De speler die een bal in een pocket schiet, mag blijven doorspelen tot hij een bal mist of een fout maakt.
- Als een speler alle ballen uit zijn set (hele/halve) heeft gepot, mag deze speler bal 8 spelen.
- De eerste speler die zijn of haar genummerde ballen eerst pot en daarna bal 8 pot is de winnaar van het spel!

#### **SPELREGELS**

- De keubal (witte bal) wordt achter de lijn geplaatst en de speler moet ofwel 1. een bal potten of 2. tenminste 4 ballen de rand van de tafel doen raken. Indien de speler er niet in slaagt een juiste break te maken, krijgt de tegenspeler de kans de ballen in deze positie te spelen of de ballen bij elkaar te brengen en opnieuw een breakstoot te maken.
- Ballen gepot bij de break – De speler blijft aan de beurt en mag zijn ballen kiezen, hele of halve ballen.
- 8 bal gepot bij de break – De speler blijft aan de beurt en heeft de keuze om ofwel de 8 bal eruit te nemen, verder te spelen of de ballen bij elkaar te brengen en opnieuw een breakstoot te maken.
- Foutbal bij de break – Wanneer de keubal (witte bal) wordt gepot bij de break 1. alle ballen, met uitzondering van de 8 bal zijn gepot, 2 de tafel is open, 3 de tegenspeler heeft de keubal in de hand en mag deze op willekeurig elke plaats achter de lijn plaatsen, en mag hij elke bal naar keuze stoten die zich niet achter de lijn bevindt.
- Na de break is de tafel open, ook al zijn alle ballen gepot.
- De speler heeft de keuze voor hele/halve ballen, hetgeen wordt bepaald door de volgende vooropgestelde bal die wordt gepot. **OPMERKING** – De spelers moeten steeds vooraf de stoot aangeven door de bal en het gat aan te duiden. Indien hij dit niet doet, verliest hij zijn beurt
- Om een geldige stoot uit te voeren, moet de eerste geraakte bal een bal zijn uit de groep van de speler ( hele of halve ballen). De doelbal moet gepot worden ofwel moet de keubal (witte bal) of een andere doelbal in contact komen met de tafeland. **OPMERKING** – ‘Het is toegelaten om met de keubal (witte bal) eerst de band te raken voordat de gekozen (gekleurde) bal geraakt wordt’

#### **BUITEN SPEL**

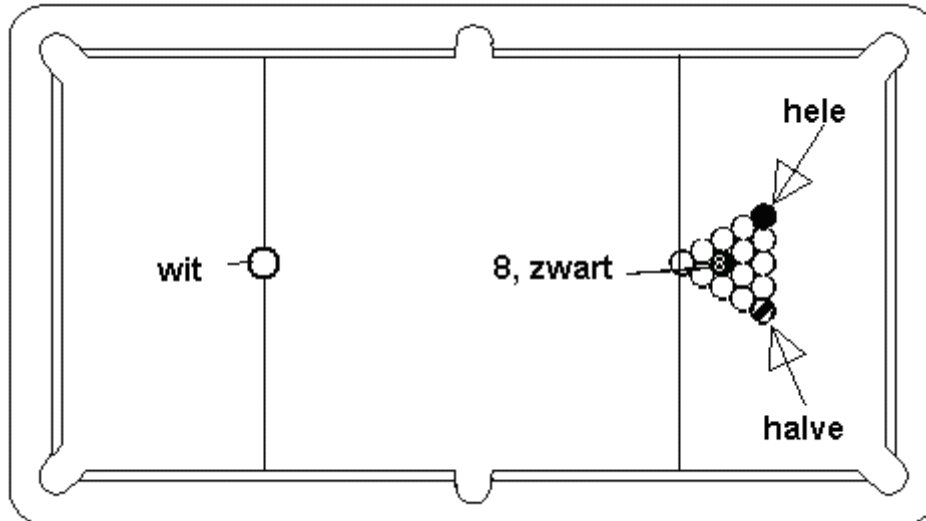
- Fout wanneer de 8 bal wordt gepot.
- Pot de 8 bal in dezelfde stoot als de laatste bal van de groep.
- Pot de 8 bal in een ander gat dan die van de huidige stoot.
- Pot de 8 bal wanneer het deze nog niet aan de beurt is.
- Foute bal stoten wanneer de 8 bal niet de vooropgestelde doelbal is.
- De 8 bal buiten de tafel stoten.

#### **FOUTEN**

- De tegenspeler krijgt de “keubal in hand”. De speler mag de keubal (witte bal) overal op de tafel leggen (uitgezonderd na de break, dan vanachter de lijn naar voren spelen).

#### **OPZETTEN**

- Een bal wordt opgezet, zo dicht mogelijk in lijn met de bal die geraakt moet worden



## **2) TAFELVOETBAL (5in1, 7in1, 9in1)**

### **HET SPEL WINNEN**

- 2 of 4 spelers (2 per team) kunnen tegen elkaar spelen.
- Om te bepalen wie het spel zal starten, moet je “een muntstuk opgooien”.
- De winner van de opgooi start het spel door de bal in het midden van het speelveld te laten vallen.
- De eerste speler die de vooropgestelde score behaalt, wint het spel!

### **SPELREGELS**

- Passeren en scoren doe je door aan de stangen te duwen/trekken en door aan de handvaten te draaien.
- Volledig ronddraaien van de spelerstangen kan geldig of ongeldig zijn (afhankelijk van de spelers' keuze/overeenkomst vóór het spel werd gestart).
- Indien je als team speelt, mogen de spelers niet van plaats verwisselen nadat de bal in het spel is gebracht.
- Bij het spelen van een match, veranderen de teams van zijde na elk spel.
- Opzettelijk schudden en opheffen van de tafel is niet toegelaten
- Je handen binnen het speelveld steken tijdens een spel is niet toegelaten, behalve voor het wegnemen van een dode bal.

### **DODE BAL**

- Een bal die stopt of vast komt te zitten tussen twee tegenspelers, moet worden weggenomen en terug in het spel gebracht worden via één van de balserveerbakjes.
- Een bal die stopt tussen spelers van hetzelfde team, moet terug in het spel gebracht worden in de dichtstbijzijnde hoek van het speelveld en van daaruit losgelaten worden

### **BUITEN HET SPEL**

- Een bal dat het speelveld tijdens het spelen verlaat (met uitzondering van de doelen), moet terug in het spel gebracht worden via één van de balserveerbakjes.

## **3) + 4) GLIDEHOCKEY & IJSHOCKEY (5in1, 7in1, 9in1)**

### **HET SPEL WINNEN**

- 2 of 4 spelers (2 per team) kunnen tegen elkaar spelen.
- Om te bepalen wie het spel zal starten, moet je een muntje opgooien.
- De eerste speler die de vooropgestelde score behaalt, wint het spel!

### **SPELREGELS**

- Spelers moeten de puck raken met de glidehockey schuivers, of met de en deze in het doel van de tegenstander proberen te schieten.
- Indien je als team speelt, mogen de spelers niet van plaats verwisselen nadat het spel begonnen is.
- Bij het spelen van een match, veranderen de teams van zijde na elk spel.
- Opzettelijk schudden en opheffen van de tafel is niet toegelaten

- Je handen binnen het speelveld steken tijdens een spel is niet toegelaten, behalve voor het wegnemen van een dode puck.

**DODE PUCK**

- Een puck die stopt of vast komt te zitten tussen twee tegenspelers, moet worden weggenomen en terug in het spel gebracht worden door deze op het speloppervlak te plaatsen.

**BUITEN HET SPEL**

- Een puck die het speelveld tijdens het spelen verlaat (met uitzondering van de doelen), moet terug in het spel gebracht worden door deze op het speelveld te plaatsen.

**5) TAFELTENNIS (5in1, 7in1, 9in1)****HET SPEL WINNEN**

- Om te bepalen wie het spel zal starten, moet je een muntje opgooien. De winnaar mag het eerst serveren.
- Het spel wordt gewonnen door de speler (of het spelerspaar) die het eerst 21 punten haalt, tenzij beide spelers of paren 20 punten behalen. In dat geval is de winnaar degene die het eerst 2 punten meer scoort dan de tegenstander/het andere paar!
- Een Match bestaat uit het achtereenvolgens spelen van drie tot vijf games. Degene die de meeste games wint heeft gewonnen. Elke speler kan een rustperiode van 2 minuten aanvragen tussen de games van een Match.

**SPELREGELS**

- Spelvolgorde – Enkelspel – De serveerder probeert zo goed mogelijk op te slaan, en de tegenstander zo goed mogelijk terug te slaan. Serveerder en tegenstander proberen achtereenvolgens zo goed mogelijk terug te spelen.
- Spelvolgorde – Dubbelspel – De serveerder probeert zo goed mogelijk op te slaan, en de tegenstander zo goed mogelijk terug te slaan. Daarna moet de partner van de serveerder en de partner van de tegenstander proberen vervolgens zo goed mogelijk terug te spelen. Het spel wordt tussen de twee spelers van het team afgewisseld.
- Opslag – Enkelspel – De serveerder begint met de bal op de handpalm te houden. De bal wordt omhoog gegooid en weggeslagen voordat deze de tafel raakt. De bal moet de tafel aan de kant van de serveerder eenmaal raken, over het net gaan en daarna de tafelhelft van de tegenstander raken, rechts van de witte middenlijn. Als de serveerder de bal niet raakt bij de opslag, dan verliest hij of zij een punt.
- Opslag – Dubbelspel - De serveerder begint met de bal op de handpalm te houden. De bal wordt omhoog gegooid en weggeslagen voordat deze de tafel raakt. De bal moet de tafel aan de kant van de serveerder eenmaal raken, over het net gaan en daarna de tafelhelft van de tegenstander raken, rechts van de witte middenlijn. Als de serveerder de bal niet raakt bij de opslag, dan verliest hij of zij een punt.
- Terugslaan – Als de bal is opgeslagen moet de tegenstander deze terugslaan door de bal over het net te slaan, en daarna de tafelhelft van de tegenstander te raken. ]Als de teruggeslagen bal het net of de netsteunen raakt is deze nog steeds geldig.
- Spelerwisseling – De speler/het spelerspaar die het spel aan de ene kant van de tafel begonnen zijn gaan met de volgende game naar de andere helft van de tafel. De spelers wisselen bij iedere game van tafelhelft, tot het einde van de match bereikt is.

**FOUTEN**

- De bal raakt dezelfde helft van het speelveld meer dan eens.
- De bal wordt teruggeslagen zonder de tafel geraakt te hebben.
- De bal raakt de speler op een andere plaats dan het batje, of de spelershand onder de pols.
- De bal een voorwerp raakt, afgezien van het speelveld/net/netsteun of batje, of de spelershand onder de pols.
- De bal wordt meer dan eens door dezelfde speler geraakt.
- In dubbelspel, de bal raakt de linkerkant van de tafel van de serveerder of de tegenstander.
- In dubbelspel, de bal wordt geraakt door een speler die niet aan de beurt is.

**LET**

- Als een speler de bal serveert/opslaat en de tegenstander is nog niet klaar (mocht een speler een poging wagen de bal te raken, dan kan niet beschouwt worden dat deze "niet klaar" is).
- Het spel wordt onderbroken als gevolg van een onjuiste spelvolgorde.

**6) BLACKJACK (7in1, 9in1)****HET SPEL**

- Het doel van het spel is dichterbij de dealer te komen dan de dealer, zonder over dit getal te gaan.
- De Dealer begint met het uitdelen van twee kaarten aan elke speler, en één aan hem/haarzelf.
- Als iedere speler twee kaarten heeft, vraagt de dealer wie extra kaarten wil, tot de speler "Busts" (over een puntentotaal van 21 gaat) of aangeeft dat hij of zij "Stand" (het huidige aantal kaarten behoudt).
- Als iedere speler klaar is met zijn/haar hand, is het de beurt aan de dealer..
- De dealer heeft regels die bepalen of deze speelt. Deze regels zeggen dat de dealer een kaart moet pakken als zijn totaal
- Kleiner of gelijk aan 16 is, en "stand" als deze tenminste 17 heeft.
- Nadat de dealer klaar is met zijn/haar hand, vooropgesteld dat de dealer niet "busts" betaalt deze de spelers uit die betere handen hebben, krijgt het geld van de slechtere handen, of in het geval van gelijkspel wordt de inzet terugbetaald.
- De spelers voegen de winst (indien mogelijk) toe aan hun rekening, en maken een nieuwe inzet terwijl het gehele proces herhaald wordt met een nieuw spel/nieuwe hand.
  - De speelkaarten tellen als volgt:-
    - Een aas telt voor 1 of 11
    - Boer, Vrouw en Koning tellen voor 10
    - Alle andere kaarten tellen voor het getal op de kaart.

**7) CRAPS (7in1, 9in1)****HET SPEL**

- Craps is een kansspel en wordt gespeeld met een paar dobbelstenen die door een werper (Shooter) gegooid worden.
- Het doel van het spel is te wedden of de Shooter een winnende combinatie gooit.
- Bij de eerste gooi (het uitkomen) wint de Shooter door 7 of 11 te gooien.
- Als deze Craps gooit (2, 3, of 12) verliest hij.
- Elk ander nummer (4, 5, 6, 8, 9, or 10) wordt het punt genoemd, en brengt het spel in de puntfase.
- Om te winnen moet dit aantal punten nogmaals gegooid worden voordat een 7 gegooid wordt. Winnen op deze manier heet ook wel passen.
- Als een 7 gegooid wordt voordat het aantal punten gegooid is, dan wordt de Shooter "sevened out" , en verliest deze.

**8) BOWLING (9in1)****HET SPEL**

- Het spel bestaat uit 10 kegels en 10 frames
- De speler werpt in elk van de 9 frames twee ballen , tenzij hij een STRIKE werpt.
- In het 10<sup>E</sup> frame mag de speler alleen drie ballen werpen als er een STRIKE of een SPARE is geworpen.
- Alle spelers moeten elk frame in de normale volgorde spelen.
- Behalve wanneer er een STRIKE is geworpen moet het aantal omgegooide kegels in de eerste worp naast het vakje in de rechterbovenhoek van het frame worden genoteerd. Het aantal kegels dat de speler heeft omgegooid in de tweede worp moet in het vakje worden genoteerd.
- Worden er geen staande kegels meer omgegooid in de tweede worp in een frame, dan wordt de score met (-) aangegeven. De telling van de twee worpen in een frame moet meteen worden opgeschreven.
- Strike – Er is een strike gegooid wanneer alle 10 kegels bij de eerste worp in een frame worden omgegooid. Dit wordt met een (x) in het vakje in de rechterbovenhoek van het frame waarin de strike is gemaakt, aangegeven. Een strike levert 10 punten op plus het aantal kegels dat de speler in de volgende twee beurten omgooit.

- Triple/Turkey – Drie strikes op een rij is een triple of turkey. De eerste strike levert 30 punten op. Om tot de maximale score van 300 te komen moet een speler 12 strikes achter elkaar gooien.
- Spare – Wanneer in de tweede beurt alle nog staande kegels worden omgegooid wordt dat een spare genoemd. De score wordt aangegeven met (/). Een spare levert 10 punten op, plus het aantal kegels dat de speler in de volgende beurt omgooit.

### **9) SHUFFLEBOARD (9in1)**

#### **HOE JE HET SPEL KUNT WINNEN**

- Shuffleboard kan individueel of in paren worden gespeeld.
- Een toss met een munt bepaalt wie er mag beginnen. De winnaar van de toss met de munt mag de kleur kiezen.
- Begin het spel met het schieten van de rode schijf.
- Speel afwisselend rood (vanaf de rechterkant bovenaan het veld/ linkerkant onderaan het veld) en daarna zwart/ totdat alle schijven zijn gespeeld.
- Het spel is afgelopen bij een score van 50/75 of wanneer een deelnemer 100 punten heeft.

#### **DE SPELREGELS**

- De spelers plaatsen hun schijven zonder dat die elkaar raken, binnen de lijnen van de eigen speelhelft in het 10 strafpunten gedeelte.
- Hier gelden 5 strafpunten – een speler krijgt geen strafpunten voordat hij een schijf heeft gespeeld.
- De schijf moet gespeeld worden vanaf de vrije voorzijde binnen de eigen helft van het gedeelte met 10 strafpunten.
- Als de gespeelde schijf de voor- of achterlijn van het speelveld raakt, dan krijgt de speler 5 strafpunten.
- Als de gespeelde schijf de zijlijn of de driehoek raakt - krijgt de speler 10 strafpunten. Daarbij wordt de schijf van de aanvallende speler weggenomen, en de tegenstander ontvangt alle verplaatste schijven.
- Alle verplaatste schijven worden onmiddellijk van het veld verwijderd, nadat de verplaatste schijven van de tegenstanders zijn gescoord.
- Er worden geen strafpunten gegeven wanneer de gespeelde schijf bij de START vrij was en de scheidingsdriehoek zou raken of oversteken.
- Het spel moet achter elkaar door en zonder aarzelen worden gespeeld.
- Schieten met effect geldt niet – het schot moet in een strakke rechte lijn worden gegeven waarbij de schijf een vloeiende beweging maakt.
- Het lichaam van de speler, handen, voeten of knieën inbegrepen, mag niet op of over de achterlijn, of het verlengde ervan, van het speelveld komen, behalve voor het oprapen en plaatsen van de schijven.

#### **DIENST ADRES:**

CARROMCO GMBH & Co. KG  
Mühlenweg 144, D-22844 Norderstedt/Germany  
Tel - +49 (0) 1805 25 63 63

E-Mail: [service@carromco.com](mailto:service@carromco.com)

Website: [www.carromco.com](http://www.carromco.com)

Gelieve dit te bewaren als referentiemateriaal voor later

MADE IN CHINA





**ACHTUNG!** Nicht geeignet für Kinder unter 36 Monaten. Enthält kleine Bauteile und kleine Bälle, die verschluckt oder eingeatmet werden können. Erstickungsgefahr! Muß von Erwachsenen aufgebaut werden. Kinder sollten nur unter Aufsicht eines Erwachsenen spielen. Bitte diese Information aufbewahren. Bei korrekter Benutzung dieses Spieltisches vermeiden Sie Beschädigungen und Verletzungen!

### **Herzlichen Glückwunsch zum Erwerb Ihres neuen "CARROMCO"-Spieltisches!**

Dieser Tischfußball-Kicker ist für den privaten Gebrauch entwickelt worden und verspricht durch die Verwendung hochwertiger Materialien und die massive Bauweise ein Spielvergnügen für Jedermann. Wir hoffen, dass Sie mit Ihrer Familie und Ihren Freunden viele Stunden Spaß mit diesem Produkt haben werden. Bitte bewahren Sie diese Anleitungen für künftige Nachschlagezwecke auf! Bitte notieren Sie die Modellnummer (die Sie auf dem Deckblatt dieses Handbuchs und auch neben dem Strichcode auf dem bunten Aufkleber an der Vorderseite der Verpackung finden), da Sie diese eventuell benötigen, falls Sie sich mit uns in Verbindung setzen möchten.

Vor der Montage lesen Sie dieses Handbuch bitte aufmerksam durch; machen Sie sich mit den Teilen, den Montageschritten und den Hinweisen vertraut. Bitte ziehen Sie die Teilebeschreibung auf den folgenden Seiten heran und vergewissern Sie sich, dass alle Teile für das Tischspiel vorhanden sind.

**HINWEIS:** Sollte ein Teil fehlen oder falls Sie Fragen haben, bringen Sie den Tisch bitte nicht in das Geschäft zurück. Setzen Sie sich mit unserem Kundendienst (siehe oben) in Verbindung. Wir werden uns bemühen eventuell aufgetretene Probleme zu beheben. Sollten Sie Fragen haben oder Hilfe bei der Montage des Tischspiels benötigen, setzen Sie sich bitte mit unserem Kundendienst (siehe oben) in Verbindung. Wir werden uns bemühen alle Ihre Fragen zu beantworten.

### **BENÖTIGTE WERKZEUGE FÜR DIE MONTAGE:**

- 1 – Kreuzschlitzschraubenzieher
- 1 – Schlitzschraubenzieher
- 1 – Inbusschlüssel (beiliegend)
- 1 – Mutterschlüssel (beiliegend)

### **WARTUNG UND PFLEGE:**

- **TISCH:** Decken Sie den Tisch ab. Wenn sich Staub auf der Spielfläche oder den Seitenteilen befindet, benutzen Sie einen Staubsauger oder wischen Sie die Spielfläche mit einem sauberen, weichen Tuch ab. Setzen Sie sich nicht auf den Tisch und benutzen Sie ihn nicht draußen.
- **KICKERSTANGEN:** Vergewissern Sie sich, dass die Schrauben und Muttern an den Spielern fest sitzen. Wischen Sie die Kickerstangen gelegentlich mit einem sauberen, weichen Tuch ab. Drehen Sie die Stangen nicht zu aggressiv, da diese sonst beschädigt werden können. Wir empfehlen Silikon Gleitspray um die Führungsbuchsen zu schmieren. Dies sollte von außerhalb der Spielfläche gemacht werden, damit kein Silikon auf die Spielfläche tropft.
- **TISCHBEINE:** Überprüfen Sie, ob die Schrauben der Tischbeine fest sitzen. Wenn Sie den Tisch umstellen wollen, heben Sie ihn hoch, und setzen ihn gleichmäßig auf allen vier Beinen wieder ab. Ziehen Sie den Tisch nicht über den Boden und heben Sie ihn nicht an den Kickerstangen hoch.

### **LAGERUNG / STANDORT:**

Lagern/ plazieren Sie den Tischfußball-Kicker an einem trockenen und gut belüfteten Ort.

**ENTSORGUNG:** Entsorgen Sie den Tischfußball-Kicker über einen zugelassenen Entsorgungsbetrieb oder über Ihre kommunale Entsorgungseinrichtung. Beachten Sie die aktuell geltenden Vorschriften. Erkundigen Sie sich im Zweifelsfall bei Ihrer Entsorgungseinrichtung über eine umweltgerechte Entsorgung.

**Viel Spaß mit Ihrem "CARROMCO" Tischspiel!**

**SPIELREGELN****1) POOLBILLARD (5in1, 7in1, 9in1)****SO GEWINNEN SIE DAS SPIEL**

- Beim Pool spielt ein Spieler auf die ungeraden Kugeln (Nummer 1 bis 7).
- Der andere Spieler spielt die gestreiften Kugeln (Nummer 9 bis 15).
- Entscheiden Sie mit einem Münzwurf, wer das Spiel beginnt. Der Gewinner des Münzwurfs beginnt das Spiel. Der Verlierer beginnt das nächste Spiel.
- Ein Spieler, der eine Kugel korrekt versenkt hat, spielt so lange weiter bis er das Ziel verfehlt oder ein Foul begeht.
- Nachdem ein Spieler alle seine Kugeln (gestreift/einfarbig) versenkt hat, kann er die Kugel Nr. 8 spielen.
- Der erste Spieler, der alle seine Kugeln korrekt versenkt hat und dann die 8. Kugel versenkt, ist der Sieger!

**SPIELREGELN**

- Der Spielball (die weiße Kugel) wird hinter die Kopflinie gelegt und der Spieler muss entweder 1.) eine Kugel versenken oder 2.) vier Kugeln an die Banden auf dem Tisch stoßen. Sofern ein Spieler keinen Punkt erzielt, kann der Gegner die Kugeln in dieser Position spielen oder die Kugeln erneut im Rack aufbauen und einen weiteren Eröffnungs-Break machen.
- Beim Break versenkte Kugeln - Der Spieler steht am Tisch, er kann zwischen den gestreiften und den einfarbigen Kugeln wählen.
- 8. Kugel beim Break versenkt - Der Spieler steht am Tisch, er kann die 8. Kugel versenken, weiterspielen oder die Kugeln erneut im Rack aufbauen und erneut stoßen.
- Break-Scratch - Wenn die weiße Kugel beim Break versenkt wird, dann: 1.) werden alle Kugeln mit Ausnahme der 8. versenkt, 2) ist der Tisch frei, 3) bekommt der Gegner den Spielball, kann die Kugel hinter die Kopflinie legen und jede beliebige Kugel, die sich nicht hinter der Kopflinie befindet, spielen.
- Nach einem Break ist der Tisch frei, unabhängig davon, ob die Kugeln versenkt worden sind.
- Der Spieler kann zwischen den gestreiften/einfarbigen Kugeln wählen; entscheidend dafür ist, welche Kugel als nächstes regelgerecht versenkt wird. HINWEIS: Jeder Spieler muss seinen Stoß im Voraus ansagen, das heißt die Kugel benennen und diese versenken. Sonst ist diese Runde eventuell verloren!
- Ein legaler Stoß wird ausgeführt, indem die Kugel zuerst eine der Kugeln in der Gruppe des Spielers berührt (gestreift oder einfarbig). Die benannte Kugel muss versenkt werden oder der Spielball (weiße Kugel) oder eine andere Zielkugel müssen die Bande berühren. HINWEIS - Es ist regelgerecht, wenn der Spielball (weiße Kugel) zuvor die Zielkugel berührt.

**SPIELENDEN**

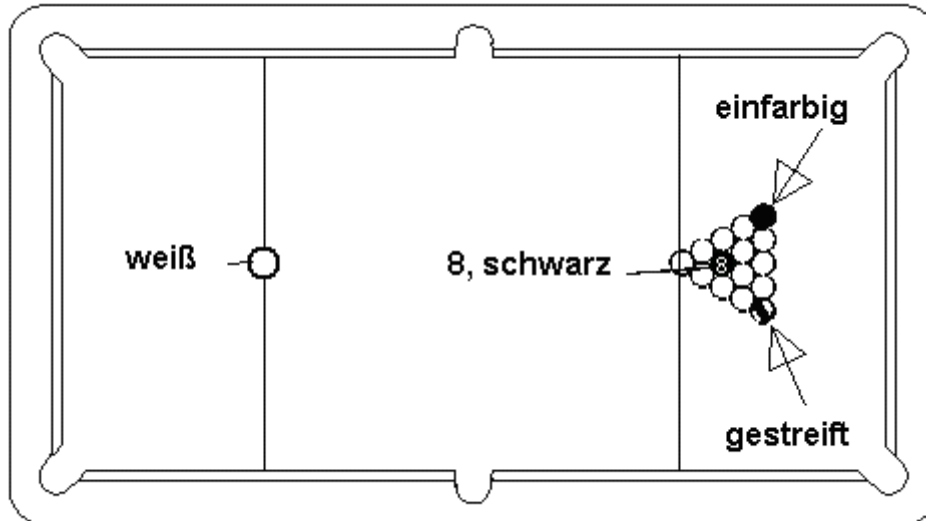
- Fouls beim Versenken der 8. Kugel.
- Gleichzeitiges Versenken der 8. Kugel zugleich mit der letzten Kugel-Gruppe.
- Der 8. Ball wird nicht mit einem Stoß versenkt.
- Die versenkte 8. Kugel ist nicht die richtige Kugel.
- Scratch, wenn die 8. Kugel die richtige Kugel ist.
- Die 8. Kugel verlässt den Tisch.

**FOUL**

- Der Gegner nimmt den Spielball auf. Der Spieler kann den Spielball (weiße Kugel) auf jede beliebige Stelle auf dem Tisch legen (beim Eröffnungs-Break muss sie sich hinter der Kopflinie befinden).

**SPOTTEN**

- Eine Kugel wird an der Längsbande aufgesetzt, so nahe wie möglich zur Fußbande.



**2) TISCHFUSSBALL (5in1, 7in1, 9in1)**

**SO GEWINNEN SIE DAS SPIEL**

- Es können 2 oder 4 Spieler (2 Spieler in jedem Team) gegeneinander antreten.
- Entscheiden Sie mit einem Münzwurf, wer das Spiel beginnt. Der Gewinner des Münzwurfs beginnt das Spiel, indem er den Ball in die Mitte des Spielfelds legt.
- Der erste Spieler, der den vereinbarten Punktestand erreicht, ist der Gewinner!

**SPIELREGELN**

- Das Passen und Zielen erfolgt durch Ziehen/Schieben der Stange und das Rollen der Handgriffe.
- Das Drehen der Spielerstangen ist zulässig oder auch nicht zulässig (vereinbaren Sie das vor Spielbeginn mit dem/den Gegner/n).
- Teams dürfen ihre Positionen nicht wechseln, nachdem der Ball aufgegeben worden ist.
- Die Teams wechseln nach jedem Spiel (nach jeder Runde) die Seiten.
- Das absichtliche Berühren oder Kippen des Tisches ist nicht erlaubt.
- Während des Spiels dürfen Sie nicht in das Spielfeld greifen; es sei denn, Sie müssen einen "toten" Ball entfernen.

**TOTER BALL**

- Ein Ball der zwischen den gegnerischen Spielern stoppt oder dort gefangen ist, kann herausgenommen werden. Der Ball wird durch die Balleinwürfe wieder ins Spiel gebracht.
- Der Ball stoppt zwischen Spielern des gleichen Teams; nun wird der Ball in die nächste Ecke des Spielfelds gelegt und losgelassen.

**AUS**

- Ein Ball, der das Spielfeld während des Spiels verlässt (kein Tor) wird in einen der Balleinwürfe zurückgelegt und von dort aus gespielt.

**3) + 4) GLEITHOCKEY & EISHOCKEY (5in1, 7in1, 9in1)**

**SO GEWINNEN SIE DAS SPIEL**

- Es können 2 oder 4 Spieler gegeneinander antreten (2 Spieler an jedem Ende des Tisches).
- Entscheiden Sie mit einem Münzwurf, wer das Spiel beginnt. Der Gewinner des Münzwurfs beginnt das Spiel, indem er den Puck in das Spielfeld legt
- Der erste Spieler, der den vereinbarten Punktestand erreicht, ist der Gewinner!

**SPIELREGELN**

- Die Spieler müssen versuchen den Puck mit den Hockey-Schiebern oder -Schlägern in das gegnerische Tor zu schießen.
- Teams dürfen ihre Positionen nicht wechseln, nachdem das Spiel begonnen hat.
- Die Teams wechseln nach jedem Spiel (nach jeder Runde) die Seiten.
- Das absichtliche Kippen des Tisches ist nicht erlaubt.

- Während des Spiels dürfen Sie nicht in das Spielfeld reichen; es sei denn, Sie müssten einen toten Puck entfernen.

**TOTER PUCK**

- Ein Puck, der zwischen den gegnerischen Spielern stoppt oder dort gefangen ist, kann herausgenommen werden. Der Puck wird auf die Spielfläche zurückgelegt.

**AUS**

- Ein Puck, der das Spielfeld während des Spiels verlässt (kein Tor), wird auf das Spielfeld zurückgelegt.

**5) TISCHTENNIS (5in1, 7in1, 9in1)****SO GEWINNEN SIE DAS SPIEL**

- Entscheiden Sie mit einem Münzwurf, wer das Spiel beginnt. Der Gewinner des Münzwurfs hat den ersten Aufschlag.
- Sieger des Spiels ist der Spieler, der zuerst 21 Punkte erzielt hat, sofern nicht beide Spieler oder beide Paare 20 Punkte haben. In diesem Fall ist der Spieler bzw. das Paar Sieger, der/das zuerst zwei Punkte mehr als der Gegner erreicht.
- Das Spiel wird nach dem Modus "Best of 3" oder "Best of 5" Spielen gespielt. Jeder Spieler kann zwischen den einzelnen Runden eine Auszeit von 2 Minuten verlangen.

**SPIELREGELN**

- Reihenfolge - Einzel - Der Aufschläger schlägt auf und der Gegner retourniert. Danach retourniert der Aufschläger/Gegner.
- Reihenfolge - Doppel - Der Aufschläger schlägt auf und der Gegner retourniert. Dann schlägt der Partner des Aufschlägers den Ball und der Partner des Gegners schlägt diesen zurück. Danach retourniert jeder Spieler nach Wahl.
- Aufschlag - Einzel - Der Aufschläger schlägt den Ball von der Handfläche ab. Der Aufschläger wirft den Ball nach oben und schlägt ihn auf, bevor der Ball den Tisch berührt. Der aufgeschlagene Ball muss zuerst die Spielfeldhälfte des Aufschlägers berühren, das Netz überqueren und dann auf der rechten Spielfeldhälfte oder der weißen Mittellinie des Gegners aufkommen. Falls der Aufschläger den Aufschlag nicht korrekt ausführt, erhält der Gegner einen Punkt.
- Aufschlag - Doppel - Der Aufschläger schlägt den Ball von der Handfläche ab. Der Aufschläger wirft den Ball nach oben und schlägt ihn, bevor der Ball den Tisch berührt. Der aufgeschlagene Ball muss zuerst die Spielfeldhälfte des Aufschlägers berühren, das Netz überqueren und dann auf der rechten Spielfeldhälfte der Gegners aufkommen. Falls der Aufschläger den Aufschlag nicht korrekt ausführt, erhält der Gegner einen Punkt.
- Retournieren - Nachdem Aufschlag, muss der Gegner den Ball direkt über das Netz in das Feld des Gegners schlagen. Sofern der retournierte Ball das Netz berührt ist der Return ein gültiger Schlag.
- Wechsel - Die Spieler/Paare wechseln nach jeder Runde die Seiten. Diese Wechsel der Paare/Spieler werden bis zum Ende des Spiels fortgeführt.

**AUS**

- Der Ball berührt nacheinander die gleiche Spieltischhälfte.
- Der Ball wird als Volley retourniert.
- Der Ball berührt den Spieler (nicht dessen Schläger) oder die Schlaghand des Spielers unterhalb des Handgelenks.
- Der Ball berührt einen anderen Gegenstand als das Spielfeld, das Netz, den Schläger oder die Schlaghand des Spielers unterhalb des Handgelenks.
- Der Ball wird von einem Spieler mehrmals hintereinander geschlagen.
- Der Ball berührt in einem Doppel die linke Spielfeldecke des Aufschlägers/Rückschlägers.
- Ein Spieler schlägt einen Ball außerhalb der Spielreihenfolge.

**LET (Wiederholung)**

- Wenn ein Spieler aufschlägt und der Gegner noch nicht bereit ist (ein Spieler, der aufschlägt ist jedoch immer "bereit").
- Das Spiel wird wegen der falschen Spielreihenfolge unterbrochen.

**6) BLACK JACK (7in1, 9in1)****DAS SPIEL**

- Das Ziel des Spiels ist es mehr Punkte als die Bank zu erreichen ohne sich zu "überkaufen", d. h. ohne "21" Punkte zu überschreiten.
- Jeder Spieler erhält zwei Karten ausgeteilt, die Bank (der Geber) erhält eine Karte.
- Nach dem Kartengeben entscheiden Sie, ob Sie weitere Karten kaufen möchten oder nicht. Sie können Karten kaufen bis Sie sich "überkauft" haben (mehr als 21 Punkte) oder Sie haben "genug" (Sie behalten die gekauften Karten).
- Nachdem die Karten an die Spieler ausgeteilt worden sind, ist der Geber an der Reihe.
- Für den Geber gelten bestimmte Regeln: Wenn der letzte Spieler am Tisch keine Karte mehr kaufen möchte, teilt der Geber solange Karten aus, bis die Bank 17 oder mehr Punkte hat. Sofern die Bank weniger als 16 Punkte hat, muss sie eine Karte nehmen.
- Nachdem der Geber seine "Hand" beendet hat und sofern er sich nicht "überkauft" hat, zahlt er die besser Hand aus, sammelt die Einsätze der schlechteren Hand ein oder er zahlt, bei einem Gleichstand, den Einsatz des Spielers zurück.
- Die Spieler addieren gegebenenfalls die gewonnen Einsätze zu ihrem Guthaben und bieten erneut, während das Black Jack mit einem neuen Spiel/neuen Händen fortgesetzt wird.
  - So viel zählen die Spielkarten:
    - Das As zählt 1 oder 11.
    - Dame, König, Bube zählen 10.
    - Alle anderen Karten zählen entsprechend ihrem aufgedruckten Wert.

**7) CRAPS (7in1, 9in1)****DAS SPIEL**

- Craps ist ein Glücksspiel, das mit einem Würfelpaar gespielt wird, das vom "Spieler" gewürfelt wird.
- Das Ziel ist es zu wetten, ob der "Spieler" eine Siegkombination würfeln wird.
- Beim ersten Einsatz ("come Out" genannt), gewinnt man, wenn eine 7 oder 11 gewürfelt wurde.
- Man verliert mit einer Zwei, Drei oder Zwölf (Craps).
- Jedes andere Ergebnis (4, 5, 6, 8, 9 oder 10) wird "point" genannt und der Spieler würfelt noch einmal (point phase).
- Von diesem Moment an kann man nur gewinnen, wenn das "point" – Ergebnis noch einmal erreicht wird und das unabhängig von der Anzahl an Würfeln, die dazu nötig sind. Gewinnen wird auch als "Passing" bezeichnet.
- Nur bei einer Sieben, die vor dem "point" gewürfelt wurde, verliert man (sevened-out).

**8) BOWLING/ KEGELN (9in1)****DAS SPIEL**

- Das Spiel besteht aus 10 Pins (Kegeln) und 10 Frames.
- Jeder Spieler bowlt zwei Kugeln in einen der neun Frames, bis ein STRIKE erzielt wird.
- Im 10. Frame spielt ein Spieler nur dann drei Kugeln, wenn ein Strike oder Spare erzielt worden ist.
- Jedes Frame muss von jedem Spieler in der richtigen Reihenfolge vervollständigt werden.
- Die Anzahl der Pins, die ein Spieler in seinem ersten Bowl getroffen hat, wird notiert. Dies trifft jedoch nicht für einen STRIKE zu. Die Anzahl der Pins, die die Spieler mit der zweiten Aufgabe getroffen haben, wird ebenfalls notiert.
- Wenn keiner der Pins im zweiten Wurf zu Fall gebracht wird, wird (-) notiert. Das Ergebnis der beiden Würfe im Frame muß sofort notiert werden.
- Strike - Ein Strike wird erzielt, wenn alle Pins im ersten Wurf eines Frames zu Fall gebracht werden. Ein Strike zählt 10 Punkte plus die Anzahl der Pins, die in den nächsten beiden Aufnahmen des Spielers zu Fall gebracht werden.
- Triple oder Turkey - Drei aufeinander folgende Strikes sind ein Triple oder Turkey. Der erste

Strike zählt 30 Punkte. Um die Höchstpunktzahl von 300 zu erzielen, muß ein Spieler 12 aufeinander folgende Strikes erzielen.

- Spare - Ein Spare bedeutet, daß im zweiten Wurf alle stehenden Pins zu Fall gebracht werden. Es wird (/) notiert. Ein Spare zählt 10 Punkte plus der Pins, die im folgenden Wurf zu Fall gebracht werden.

### **9) SHUFFLEBOARD (9in1)**

#### **SO GEWINNEN SIE DAS SPIEL**

- Shuffleboard kann von zwei Spielern oder als Doppel gespielt werden.
- Entscheiden Sie mit einem Münzwurf, wer das Spiel beginnt. Der Gewinner des Münzwurfs wählt die Farbe aus.
- Das Spiel beginnt, indem zuerst die rote Scheibe geschossen wird. Die Scheiben werden abwechselnd gespielt: Rot und Schwarz (von der rechten Seite oben am Brett/von der linken Seite unten am Brett).
- Ein Spiel kann auf 50/75 oder 100 Punkte angesetzt werden.

#### **DIE SPIELREGELN**

- Die Spieler setzen Ihre Scheiben in ihre Spielhälfte des 10-Off-Bereichs zwischen die Linien; die jedoch nicht berührt werden dürfen.
- "5-Off-Penalty" – ein "Freistoß" (Penalty) wird erst ausgeführt, nachdem eine Scheibe gespielt worden ist.
- Die Scheibe muß von der vorderen Linie in der entsprechende Hälfte des 10-Off-Bereichs gespielt werden.
- Wenn die Scheiben die vorderen oder hinteren Linien des Spielfelds berührt, kommt die "Penalty-5-Off"-Regel zur Anwendung.
- Wenn eine gespielte Scheibe die Seitenlinie oder ein Dreieck berührt, gilt die "Penalty-10-Off"-Regel. Dies bedeutet, daß die Scheibe des Gegners entfernt wird und der andere Spieler eine weitere Scheibe erhält.
- Alle nicht korrekt platzierten Scheiben des Gegners werden sofort vom Spielfeld genommen, nachdem die gegnerischen Scheiben gezählt worden sind.
- Es wird kein "Penalty" (Strafstoß) ausgeführt, wenn die gespielte Scheibe, die von der korrekten Linie GESPIELT worden ist, das Trenn-Dreieck überquert oder berührt. Es wird ohne Unterbrechung und zügig gespielt.
- Flanken dürfen nicht gespielt werden - die Scheibe muß sich in einer geraden Linie vorwärts bewegen.
- Die Spieler dürfen weder die Spielfeldlinie, noch deren Verlängerung überschreiten (nicht mit der Hand, dem Fuß, dem Knie), es sei denn, um die Scheiben einzusammeln und zu plazieren.

#### **SERVICE-ADRESSE:**

CARROMCO GmbH & Co. KG  
Mühlenweg 144, D-22844 Norderstedt/ Deutschland  
Tel.: 49 (0) 1805 25 63 63

E-Mail: [service@carromco.com](mailto:service@carromco.com) Webseite: [www.carromco.com](http://www.carromco.com)

Bitte für künftige Nachschlagzwecke aufbewahren.

MADE IN CHINA



**8+**

